



Innovative Photonic Solutions

KEY FEATURES

- DC Regulation
- Visible & Infrared Options
- Multiple Color Options
- 100,000 hour Operation
- Solid State Reliability
- High Intensity Output
- Rugged Housing

APPLICATIONS

- Machine Vision
- Factory Floor Environments
- Food Processing
- Color Sorting Applications
- Microscopy
- Pharmaceutical Applications

5820

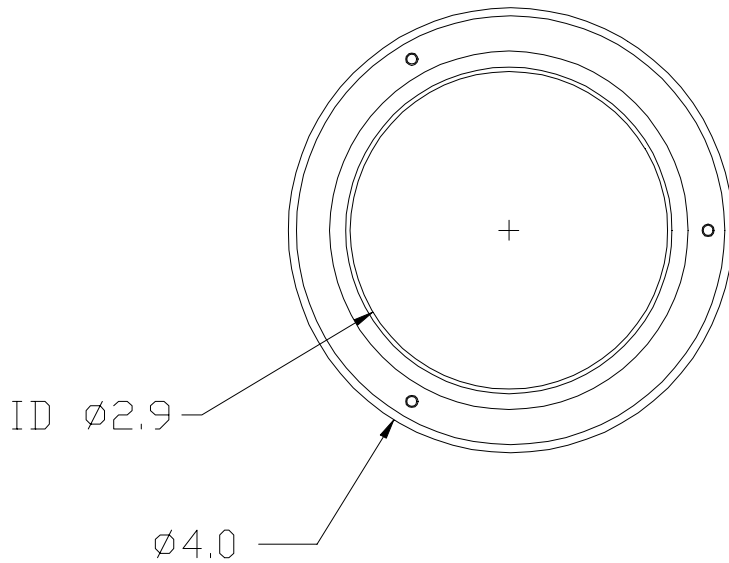
70 mm LED Ringlight



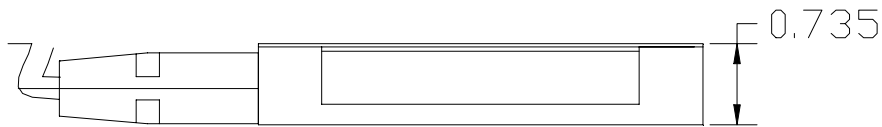
Solid State Ringlight

The **5820** Series provides robust and reliable solid state lighting for a host of automated imaging applications. The 5820 series comes in a variety of standard spectral outputs to meet most requirements. The continuous, current regulated DC output provided by our LED controller. excellent uniformity for all wavelengths. The unit may also be operated from any 24VDC source. Solid state technology means no maintenance or relamping required for up to 10 years. Our units are 100% inspected and are furnished with compliance reports. Custom configurations are available on request.

Detail Drawing



Pre-Release Drawing



Technical Specifications

Physical

Outer Dia. 3.00" (76.2mm)
 Inner Dia. 1.75" (44.45mm)
 Thickness 1.25" (31.75mm)
 Weight: 1lbs (0.45kg)

Wavelengths

RED 660 nm
 BLUE 470 nm
 INFRARED 880 nm
 WHITE 400-700 nm

Electrical

Input Power: 24VDC
 Current 500mA Typical

Environmental

Temperature: 0 to 40C
 Relative Humidity: 0 to 95%

Stability

Current Regulated Circuitry

Lifetime

100,000 Hours

Proudly Distributed By:



Innovative Photonic Solutions

Illumination Technologies, Inc.

5 Adler Drive • East Syracuse • New York 13057 USA

EL: 315-463-4673 • FAX: 315-463-1401 • Toll Free (North America): 800-738-4297

Web: <http://www.illuminationtech.com> • E-mail: info@illuminationtech.com

© 2001 Illumination Technologies