



Innovative Photonic Solutions

5810

LED Ringlight

KEY FEATURES

- DC Regulation
- Visible & Infrared Options
- Multiple Color Options
- 100,000 hour Operation
- Solid State Reliability
- High Intensity Output
- Rugged Housing

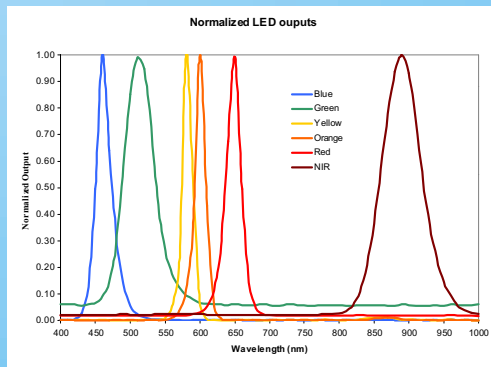


Solid State Ringlight

The **5810** Series provides robust and reliable solid state lighting for a host of automated imaging applications. The 5810 series comes in a variety of standard spectral outputs to meet most requirements. The continuous, current regulated DC output provides excellent uniformity for all wavelengths. The unit may be operated from any 24VDC source. Solid state technology means no maintenance or relamping required for up to 10 years. Our units are 100% inspected and are furnished with compliance reports. Standard units have a 4" Working Distance. Other configurations are available on request.

APPLICATIONS

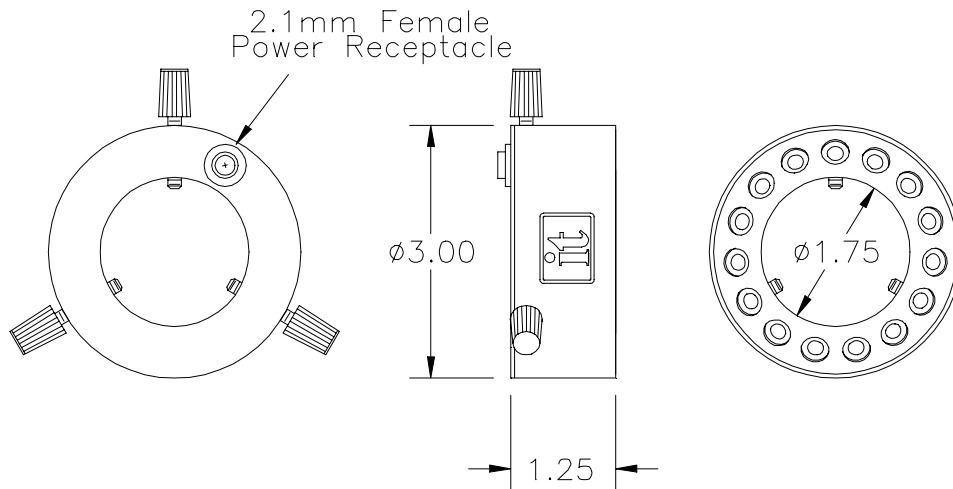
- Machine Vision
- Factory Floor Environments
- Food Processing
- Color Sorting Applications
- Microscopy
- Pharmaceutical Applications



LED Wavelength Options

LED Products

Enclosure Detail Drawing



DXF file Available

Technical Specifications

Physical

Outer Dia. 3.00" (76.2mm)
 Inner Dia. 1.75" (44.45mm)
 Thickness 1.25" (31.75mm)
 Weight: 1lbs (0.45kg)

Wavelengths

5810-CW 660 nm
 5810-CW-BL 470 nm
 5810-CW-IR 880 nm
 5810-CW-WHT White

Electrical

Input Power: 24VDC
 Current 500mA Typical

Environmental

Temperature: 0 to 40C
 Relative Humidity: 0 to 95%

Stability

Current Regulated Circuitry

Lifetime

100,000 Hours

Proudly Distributed By:



Innovative Photonic Solutions

Illumination Technologies, Inc.

5 Adler Drive 1 East Syracuse 1 New York 13057 USA

EL: 315-463-4673 1 FAX: 315-463-1401 1 Toll Free (North America): 800-738-4297

Web: <http://www.illuminationtech.com> 1 E-mail: info@illuminationtech.com

© 2001 Illumination Technologies