



Innovative Photonic Solutions

LED DRI's

Solid State Diffuse Ring Illuminator

KEY FEATURES

- DRI, US Patent No. 5,752,767
- Extremely High Uniformity (+/- 5%)
- Low Angle Structure
- Diffuse Darkfield Illuminator
- Solid State Reliability

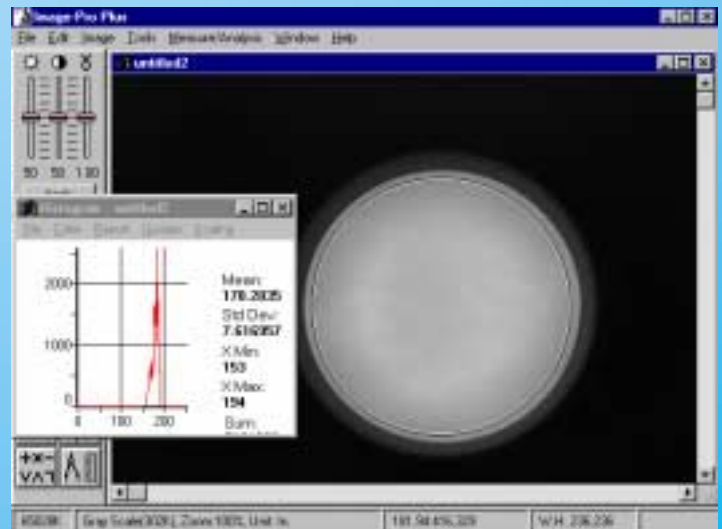
APPLICATIONS

- Surface Defects
- Scribed Characters
- Raised Objects
- High Contrast on Flat Surfaces
- Reflective and Non-Reflective Surfaces



Superior Uniformity

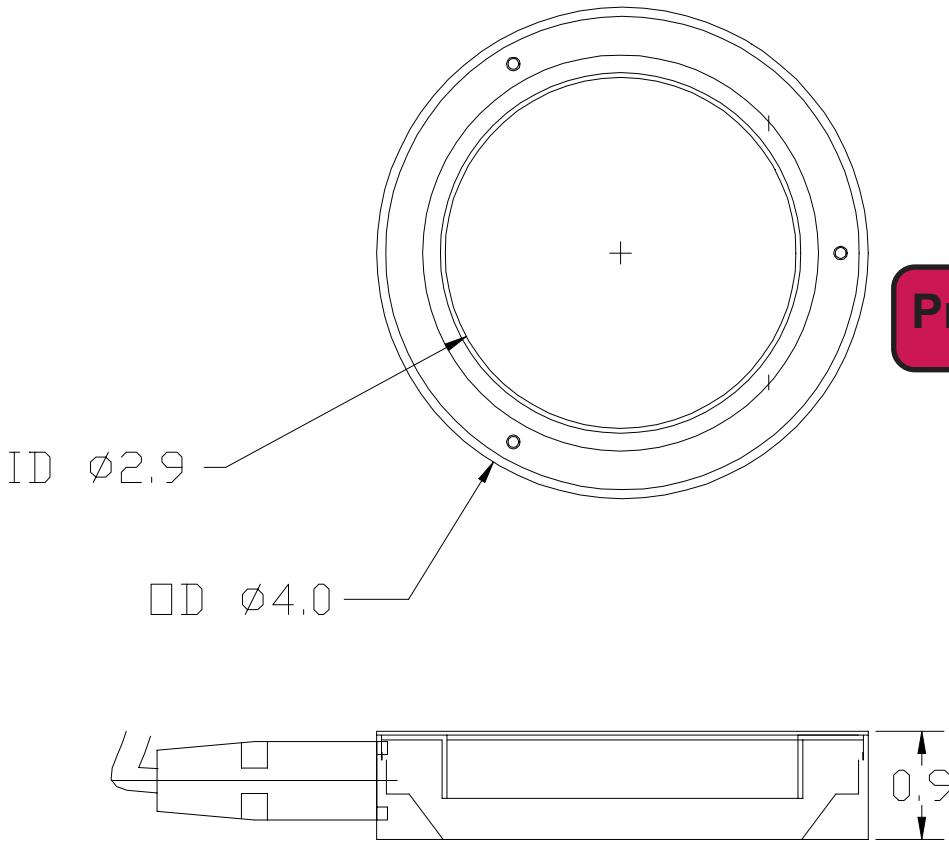
The data on the right displays the typical intensity distribution for our patented Diffuse Ring Illuminators. The 5% uniformity measurement is made over the central 90% of the area and specified using the one sigma point. All uniformity and output measurements are made using an industry standard EKE lamp operating at full intensity. Our units are inspected 100% and are furnished with compliance reports.



LED Products

Detail Drawings

Pre-Release Drawing



Technical Specifications

Physical

Outer Dia. 4.00" (101.6mm)
 Inner Dia. 2.75" (70.0 mm)
 Thickness 0.85" (21.6mm)
 Weight: 1lbs (0.45kg)

Wavelengths

RED 660 nm
 BLUE 470 nm
 INFRARED 880 nm
 WHITE 400-700nm

Electrical

Input Power: 24VDC
 Current 500mA Typical

Environmental

Temperature: 0 to 40C
 Relative Humidity: 0 to 95%

Stability

Current Regulated Circuitry

Lifetime

100,000 Hours

Proudly Distributed By:



Innovative Photonic Solutions

Illumination Technologies, Inc.

5 Adler Drive | East Syracuse | New York 13057 USA
 EL: 315-463-4673 | FAX: 315-463-1401 | Toll Free (North America): 800-738-4297
 Web: <http://www.illuminationtech.com> | E-mail: info@illuminationtech.com