



Innovative Photonic Solutions

# LED Backlights

**1" x 1" and 2" x 2"  
Active Area**

## KEY FEATURES

- Current Regulated Circuitry
- No Burn-Out Design
- Maintenance Free Operation
- Long Lifetime (100,000 Hrs)
- Superior Uniformity +/-10%

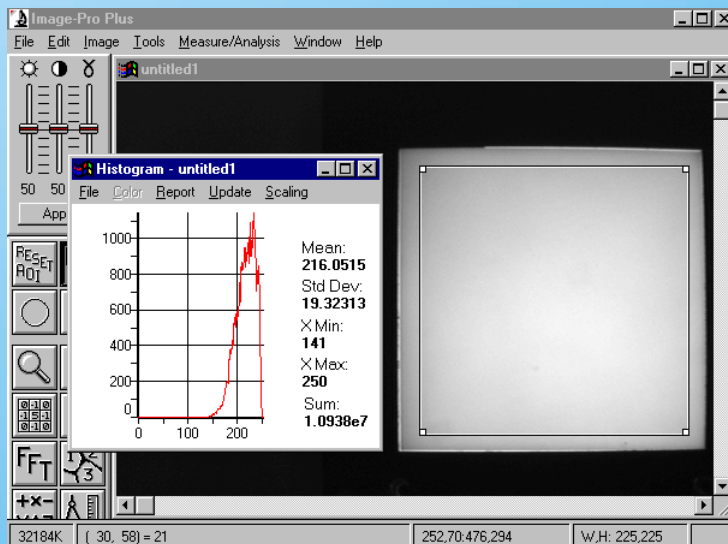
## APPLICATIONS

- Metrology
- Gauging
- Transparent Object Inspection
- Edge Detection
- Glass Inspection



## Superior Backlight Uniformity

Illumination Technologies provides the highest quality LED products available. LEDs provide maintenance free operation in excess of 100,000 hrs. Superior output uniformity provides excellent machine vision performance. The data on the right displays the typical intensity distribution for our line of LED backlights. A uniformity measurement is made over the central 95% of the active area and specified using the one sigma point to be not greater than +/-10%. Our units are 100% inspected and are furnished with compliance reports.



## P/N 5622-CW

### LED Mini-Backlight

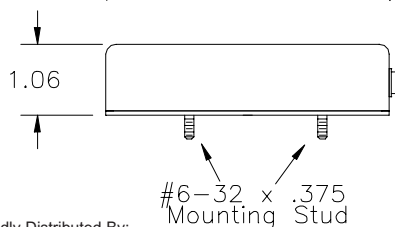
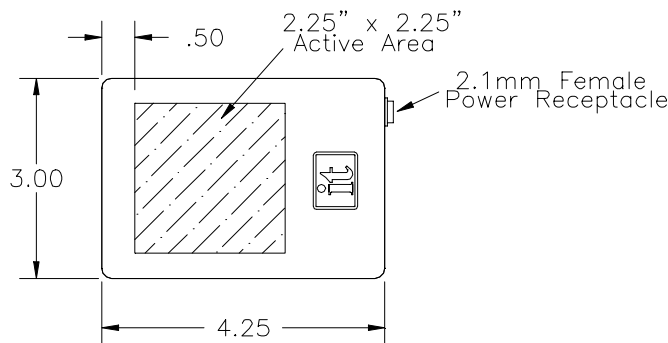
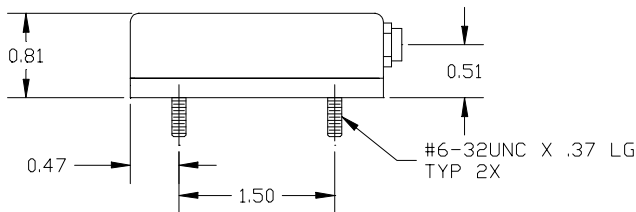
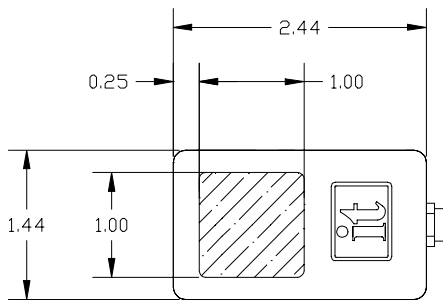
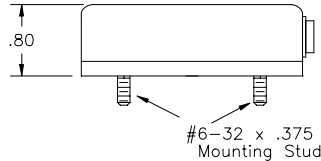
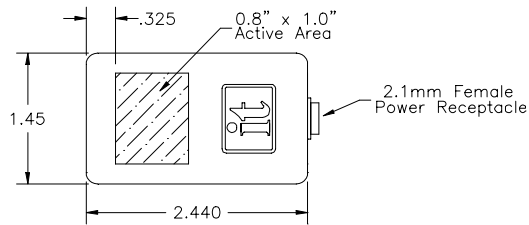
Continuous DC output, Current Regulated LED backlight. High output luminance with excellent uniformity over small active area. Low profile design. Mounting stud on base.

Luminance: 250 cd/m<sup>2</sup>

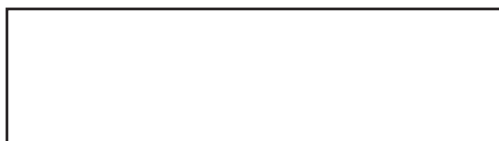
Uniformity: +/-10%

Lifetime: >100,000 hrs

Wavelength: 660 nm



Proudly Distributed By:



Innovative Photonic Solutions

## Illumination Technologies, Inc.

5 Adler Drive 1 East Syracuse 1 New York 13057 USA

TEL: 315-463-4673 1 FAX: 315-463-1401 1 Toll Free (North America): 800-738-4297

Web: <http://www.illuminationtech.com> 1 E-mail: [info@illuminationtech.com](mailto:info@illuminationtech.com)