



Innovative Photonic Solutions

5380

LAP-Lite™ Large Area LED Panel Lighting

KEY FEATURES

- LED Strobe Lightsource
- DC Regulation
- Adjustable Strobe Width
- TTL Trigger Interface
- Visible & Infrared Options
- Multiple Color Options
- 100,000 hour Operation
- Solid State Reliability
- High Intensity Output
- Rugged Outdoor Enclosure

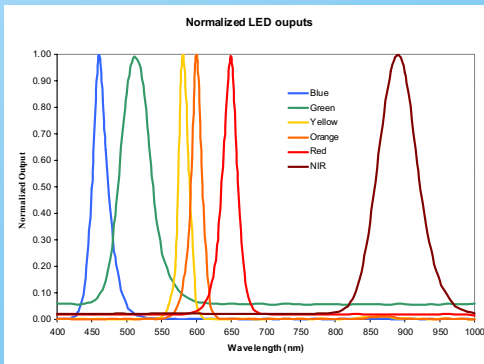


Solid State Strobe

The **5380** Series provides robust and reliable solid state lighting for a host of automated imaging applications. The internal strobe control circuitry provides everything necessary to deliver controlled, repeatable, high intensity pulsed lighting. Just supply the unit with 48VDC through the environmentally protected connector and trigger it with a TTL signal. The unit provides a single regulated pulse of light for the specified duration set internally. Pre-programmed pulse widths offer strobe durations from 100 to 800 microseconds - enough to cover most standard applications.

APPLICATIONS

- Machine Vision
- Factory Floor Environments
- Food Processing
- Outdoor Applications
- Surveillance
- Large Automotive Aps
- High Speed Applications
- Color Sorting Applications



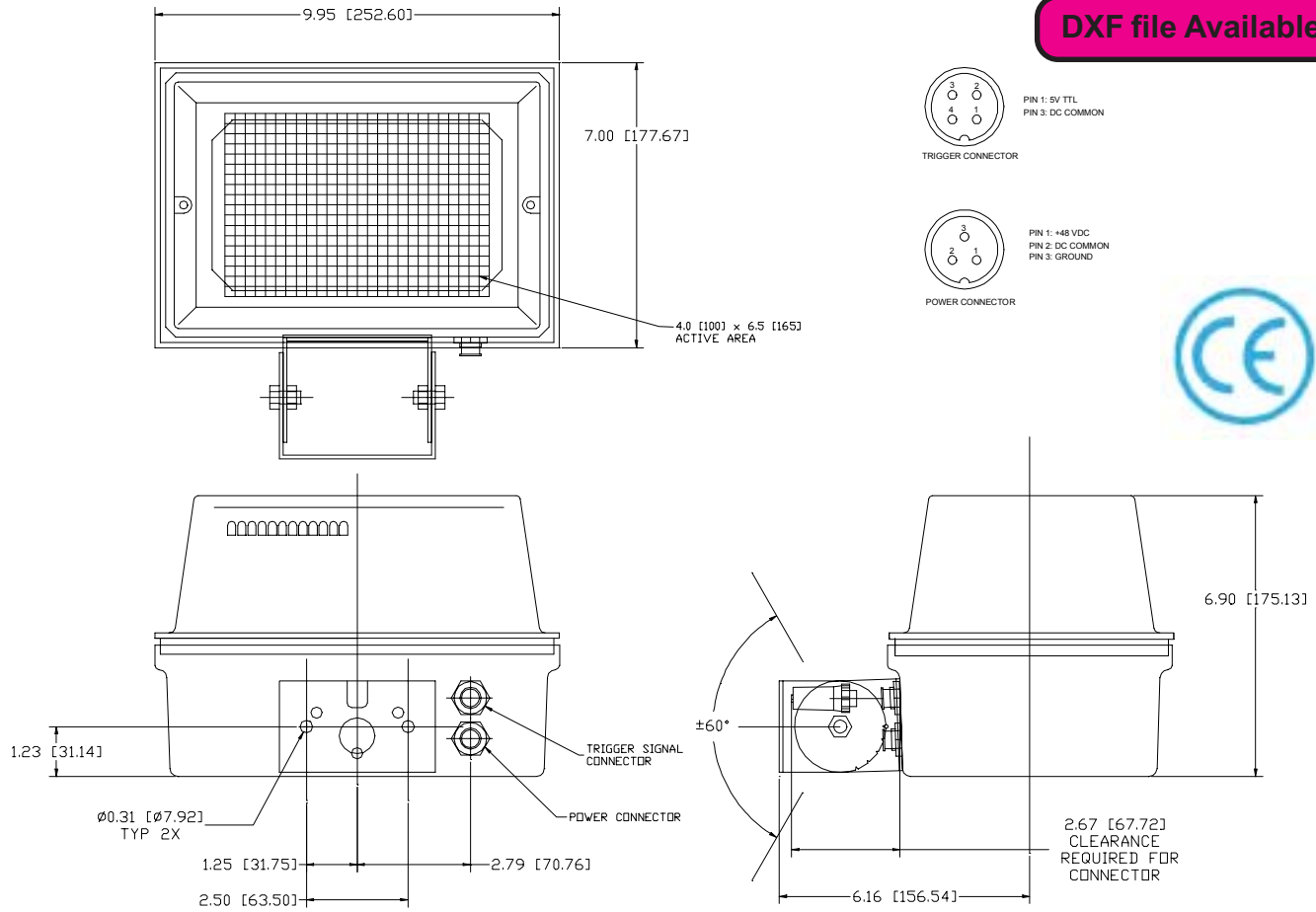
LED Wavelength Options

The 5380 series comes in a variety of standard spectral outputs to meet most requirements. With the most powerful output in the industry, the 5380 illuminates objects as far as 50 feet (15m) away and as close as 12 inches (300mm) with excellent uniformity. Solid state technology means no maintenance or relamping required for up to 10 years. Customized units are available for specialized wavelength and pulsewidth requirements - contact factory for pricing and delivery info.

LED Products

Detail Drawing

DXF file Available



Technical Specifications

Physical

Height: 7.00" (178mm)
 Width: 9.95" (253mm)
 Depth: 6.90" (175mm)
 Weight: 6.6lbs (3.0kg)

Beam Pattern

Angular Output: 20 deg
 FOV (12" WD): 6" x 8"
 FOV (30' WD): 10' x 12'

Output Wavelength

5380-R Red, 660nm
 5380-O/Y Yellow, 600nm
 5380-GR Green, 525nm
 5380-BL Blue, 470nm
 5380-IR NIR, 880nm
 5380-RGB White, RGB

Environmental

Temperature: 0 to 40C
 Rel Humidity: 0 to 95%

Electrical

Input Voltage: 48 VDC
 Current Rating: 1.5 Amp

Strobe Control

Trigger: 5V TTL
 Strobe: 100-800 usec
 Adjustability: DIP Switch

Mounting

Bracket: Rotating "U"
 Directionality: +/- 60 deg

Proudly Distributed By:



Innovative Photonic Solutions

Illumination Technologies, Inc.

5 Adler Drive 1 East Syracuse 1 New York 13057 USA

TEL: 315-463-4673 1 FAX: 315-463-1401 1 Toll Free (North America): 800-738-4297

Web: <http://www.illuminationtech.com> 1 E-mail: info@illuminationtech.com