



Innovative Photonic Solutions

# 5220

## DML Dual Mode Light

### KEY FEATURES

- CoAxial and Low Angle Components
- Internal Current Regulation (No "Burn-Out")
- Solid State Reliability
- High Intensity Output
- Multiple Color Options
- Visible & Infrared Options
- 100,000 Hour Operation
- Protective Dust Cover



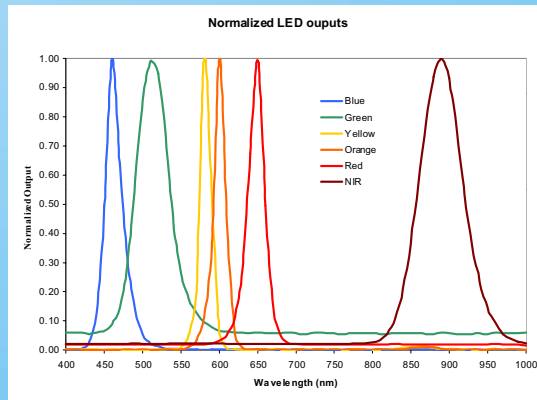
### Solid State Illuminator

The **5220** provides diffuse coaxial illumination through a beamsplitter allowing the camera to view the objects perpendicularly through the unit. The 5220 with its premature burn-out protection circuitry, contamination protection dust cover, and vibration resistant operation is a robust and reliable solid state lighting solution. The 5220 is suitable for a whole host of automated imaging applications. The unit is ready to run by simply supplying 24VDC through the environmentally protected connector. The 5200 series comes in a variety of standard spectral outputs to meet most requirements. Solid state technology

means no maintenance or relamping required for up to 10 years. Customized units are available for specialized wavelengths - contact factory for pricing and delivery info.

### APPLICATIONS

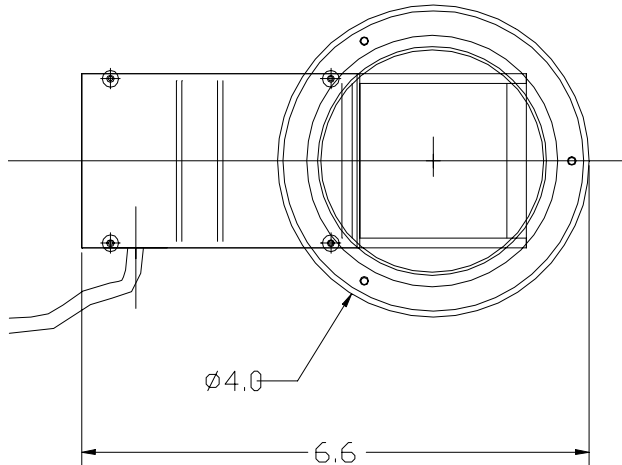
- Machine Vision
- Semiconductors
- Electronics
- CD-Roms
- Printed Circuit Boards
- Surface Mount Components
- Leadframes
- Scribed, Indented and embossed feature enhancement



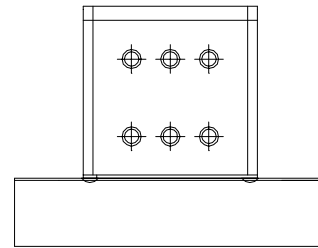
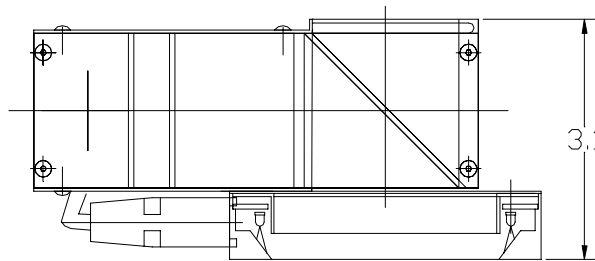
### LED Wavelength Options

LED Products

# Detail Drawing



**Pre-Release Drawing**



## Technical Specifications

### Physical

Height: 3.10" (78.7 mm)  
 Width: 4.00" (101.6 mm)  
 Length: 6.6"

### Electrical

Input Voltage: 24 VDC  
 Current Rating: 150 mA

### Environmental

Temperature: 0 to 40C  
 Rel Humidity: 0 to 95%

### Wavelength Options

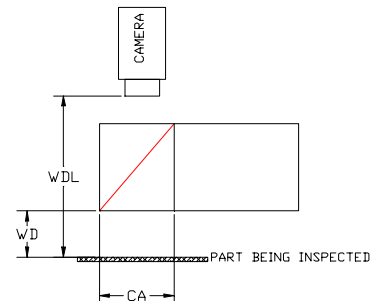
Red	660 nm
Orange	612 nm
Yellow	595 nm
Green	525 nm
Blue	470 nm
NIR	880 nm

### FOV Calculation

The Field of View for CABIs is **always** smaller than the Clear Aperture, and is a function of camera and CABI working distance. FOV is described by the formula shown here.

CA = Clear Aperture of CABI  
 WD = Working Distance of the CABI (Object to Bottom of CABI)  
 WDL = Working Distance of Camera (Object to Lens)

$$FOV = \frac{CA \times WDL}{CA + WD + WDL}$$



Proudly Distributed By:



## Illumination Technologies, Inc.

5 Adler Drive 1 East Syracuse 1 New York 13057 USA

TEL: 315-463-4673 1 FAX: 315-463-1401 1 Toll Free (North America): 800-738-4297

Web: <http://www.illuminationtech.com> 1 E-mail: [info@illuminationtech.com](mailto:info@illuminationtech.com)