



Five Megapixel, 15 FPS Color &
Monochrome Cameras with Camera Link



CSCQS15CC23
(color)

CSCQS15BC23
(monochrome)

Key Features

FIVE MEGAPIXEL, 15 FPS: Toshiba Teli CleverDragon™ 5MP cameras transfer highly detailed five-megapixel images (2456 x 2058) at 15 frames-per-second up to 12 bit depths. Additional frame rate speed is available via the Region of Interest (ROI) programmable, partial scanning mode.

COLOR & MONOCHROME: CleverDragon 5MP cameras are designed for industrial users who expect superior image quality. Choose between the color (CSCQS15CC23) or black and white (CSCQS15BC23) models to meet the specific demands of your application.

CAMERA LINK: Universal Camera Link interface simplifies integration and provides increased flexibility when changing cameras or frame grabbers.

FULL FRAME SHUTTER: The frame shutter reads out all data even under Random Trigger Shutter mode.

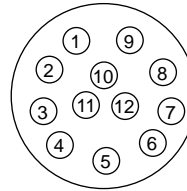
VERSATILE DESIGN: CleverDragon 5MP cameras are ideal for a wide range of industrial imaging and machine vision applications requiring high-speed, extremely precise images from a compact Camera Link camera.

SPECIFICATIONS

MODEL	CSCQS15CC23	CSCQS15BC23
Imaging	Color	Black and White
CCD Sensor	2/3" Interline	2/3" Interline
Active Pixel	2456 (H) x 2058 (V)	2456 (H) x 2058 (V)
Unit Cell Size	3.45µm x 3.45µm	3.45µm x 3.45µm
Scanning System	Progressive	Progressive
Sync System	Internal Sync	Internal Sync
Aspect Ratio	6:5	6:5
Sensitivity	5000K	400lx, F5.6, 3000K
Image Out	CameraLink, BaseConf RGB, RAW (12/10/8bit)	CameraLink, BaseConf 2tap (12/10/8bit)
Max Frame Rate	2456 (H) x 2058 (V) at 15 FPS	2456 (H) x 2058 (V) at 15 FPS
Shutter Speed	2 to 1/20000 (s) all pixels	2 to 1/20000 (s) all pixels
Gamma Correction	ON/OFF	ON/OFF
Lens Mount	C-mount	C-mount
Dimensions	54mm (W) x 43mm (H) x 69mm (D) 2.16" (W) x 1.69" (H) x 2.71" (D)	54mm (W) x 43mm (H) x 69mm (D) 2.16" (W) x 1.69" (H) x 2.71" (D)
Weight	Approx. 200g (7 ounces)	Approx. 200g (7 ounces)

Typical Applications

Applications for CleverDragon 5MP cameras include high-speed machine vision, factory automation, robotics, inspection, scientific and many others.

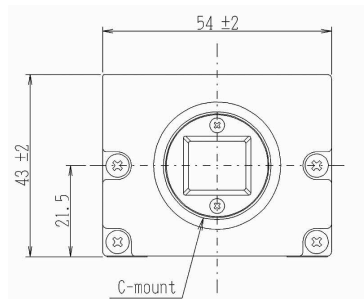
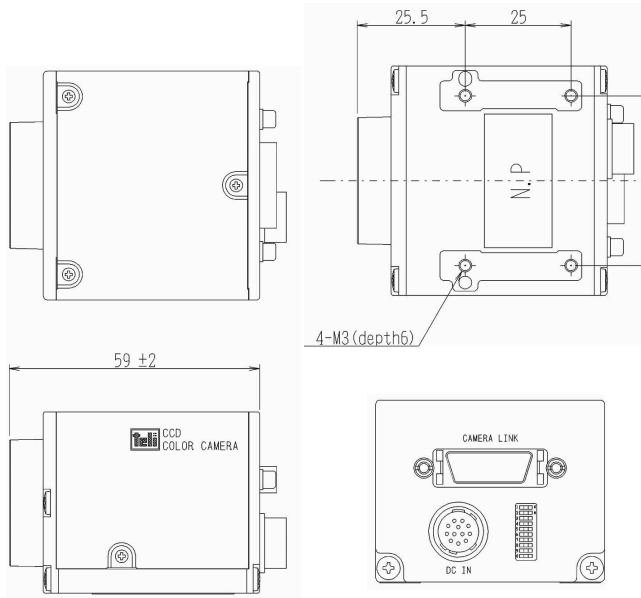


Power Supply & Sync Signal Input/Output DC IN

Pin Number	I/O	Signal Name
1	-	GND
2	I	+12V
3	-	GND
4	-	N.C.
5	-	GND
6	-	N.C.
7	-	N.C.
8	-	GND
9	-	N.C.
10	O	WEN
11	I	TRIG
12	-	GND

Video Output/Controlling Connector (Camera Link™) MDR 26-PIN

Pin Number	I/O	Signal Name
1	-	GND
2	O	TxOUT0-
3	O	TxOUT1-
4	O	TxOUT2-
5	O	Tx CLK OUT-
6	O	Tx OUT3-
7	I	Ser TC(RxD) +
8	O	Ser TFG (TxD) -
9	I	CC1(TRIG) -
10	I	CC2 (MULTI) +
11	I	CC3-
12	I	CC4+
13	-	GND
14	-	GND
15	O	Tx OUT0+
16	O	Tx OUT1+
17	O	Tx OUT2+
18	O	Tx CLK OUT+
19	O	Tx OUT3+
20	I	Ser TFG (RxD) -
21	O	Ser TFG (TxD) +
22	I	CC1(TRIG) +
23	I	CC2 (MULTI) -
24	I	CC3+
25	I	CC4-
26	-	GND



TOSHIBA TELI CORPORATION
 7-1, 4-chome Asahigaoka
 Hino-shi, Toyko 191-0065 Japan
 TEL: +81-042-589-8771
 FAX: +81-042-589-8774
 www.toshiba-teli.co.jp

TOSHIBA TELI AMERICA, INC.
 33 Hammond
 Irvine, California 92618 USA
 TEL: +1-949-770-TELI(8354)
 FAX: +1-949-206-0210
 www.toshiba-teli.com

