

## STC-N63/P63

In a very compact housing, the STC-N63/P63 cameras employ a high resolution, 1/3" color CCD that produces 480 TV Lines of horizontal resolution. The STC-N63/P63 series cameras are available in cased (with the option of four back panels - BJ, BT, CJ, or CT) and board level.



**STC-N63/P63**  
Image shown not actual size

### Features

- 1/3" CCD
- Color
- CS Lens Mount
- 10 Bit DSP
- NTSC & PAL Formats
- Electronic Shutter
- Available in 4 Different Configurations

### Specifications >>

<b>Image Sensor:</b>	Color 1/3" (NTSC) 768 (H) x 494 (V) IT CCD (ICX408AK) (PAL) 752 (H) x 582 (V) IT CCD (ICX409AK)
<b>Formats:</b>	NTSC & PAL Formats
<b>Scanning System:</b>	2:1 Interlace
<b>Horizontal Frequency:</b>	NTSC: 15.734 kHz PAL: 15.625 kHz
<b>Vertical Frequency:</b>	NTSC: 59.94 kHz PAL: 50.00 Hz
<b>Horizontal Resolution:</b>	480 TV Lines
<b>DSP (Digital Signal Processing):</b>	10 Bit DSP
<b>Video Out:</b>	Composite Video or Y/C Out (On Select Models)
<b>Gamma:</b>	0.45
<b>White Balance:</b>	ATW
<b>Serial Port:</b>	RS-232C Serial I/O Port (On Select Models)
<b>Sync System:</b>	Internal
<b>Gain:</b>	On
<b>Minimum Illumination (Standard):</b>	0.19 Lux @ F 1.2, 50 IRE
<b>Minimum Illumination (H Version):</b>	0.14 Lux @ F 1.2, 50 IRE
<b>Electronic Shutter:</b>	1/60 (NTSC) 1/50 (PAL) to 1/100,000 second
<b>Fixed Shutter:</b>	1/60 Fixed
<b>Flicker Compensation Mode:</b>	On / Off
<b>Image Reversal Function:</b>	Normal / Mirror
<b>Auto Iris:</b>	Direct Drive Control
<b>Back Light:</b>	On / Off
<b>S/N Ratio:</b>	>48dB (AGC Off)
<b>Lenses:</b>	CS Lens Mount (C-Mount with an adapter)
<b>Power Supply:</b>	12V DC
<b>Power Consumption:</b>	150mA
<b>Operating Temperature:</b>	-10°C ~ 45°C (14°F ~ 113°F)
<b>Storage Temperature:</b>	-30°C ~ 60°C (-22°F ~ 140°F)
<b>Weight:</b>	65g (2.29 oz.)
<b>Dimensions:</b>	36 (W) x 36 (H) x 37.35 (D) mm (1.44" x 1.44" x 1.49")

## >> STC-N63/P63

### Configurations



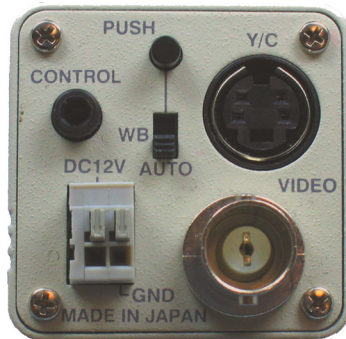
BJ Model



BT Model



CJ Model

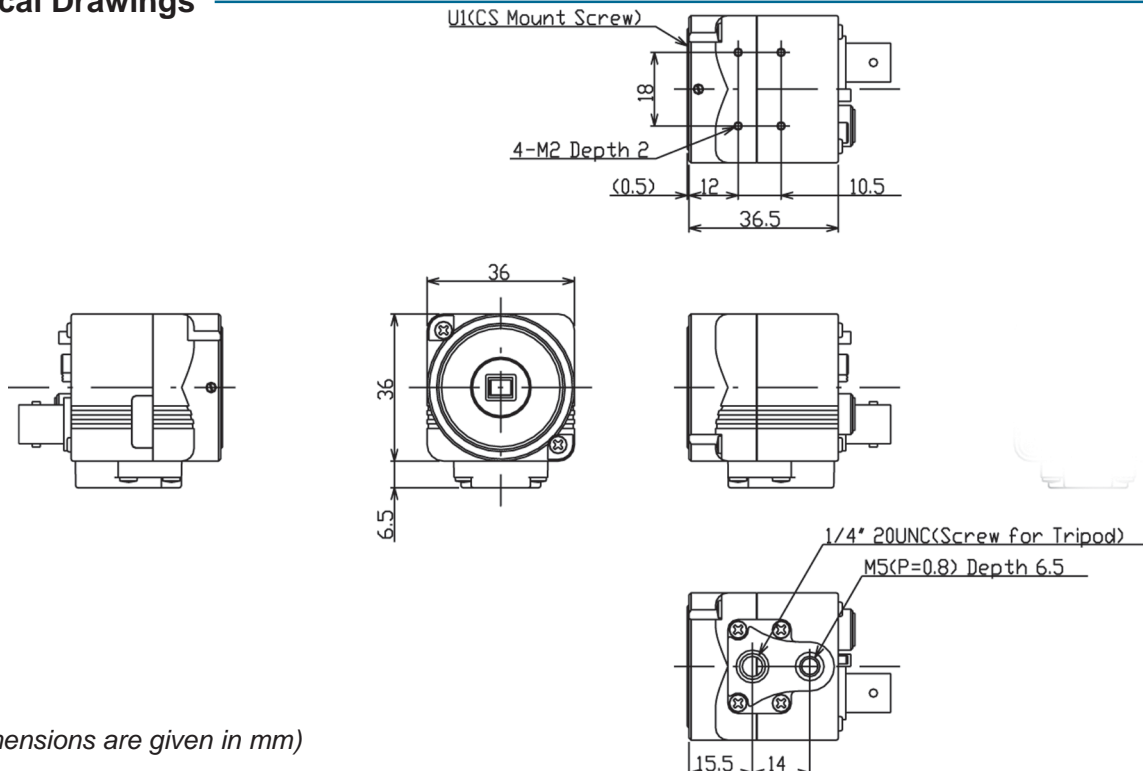


CT Model



CC Model

### Mechanical Drawings



**Note:** (Dimensions are given in mm)