

ICD-808 1/3" HIGH PERFORMANCE

ICD-828 1/2" LOW LIGHT

DSP COLOR CAMERA

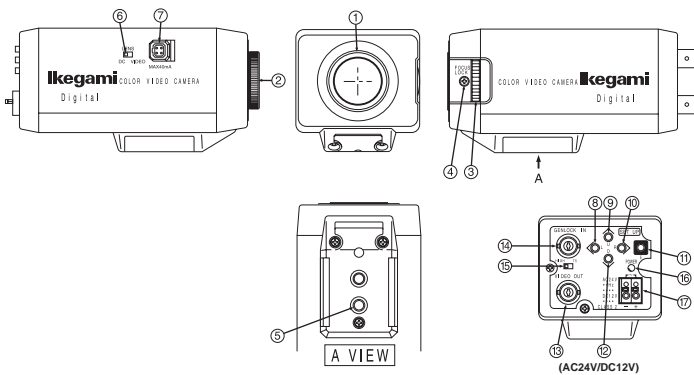


Features

- Digital processing
- High-quality picture and high resolution
- High-sensitivity design
- Backlight compensation
- 2-way automatic iris controlling function
- Automatic white balance
- AES (Automatic Electronic Shutter)
- Flange focal distance adjusting mechanism
- OSD (On Screen Display Menu)

Parts and Functions

- ① Lens mount (CS mount)
- ② C mount adapter (Attached to ICD-828 only)
- ③ Flange focal distance adjuster
- ④ Flange focal distance lock screw
- ⑤ Holder screw hole
- ⑥ Lens selector switch
- ⑦ Auto iris lens connector
- ⑧ ~ ⑫ Camera setting function switches
- ⑬ Video output terminal
- ⑭ External sync signal input terminal
- ⑮ External sync signal 75 Ω termination switch
- ⑯ Power indicator
- ⑰ AC24V/DC12V power input terminal



Optional

Remote Control Unit RCU-701:

Multiple transmission type remote set-up unit using camera's video output cable. Many settings and functions can be remote-controlled by this unit.



Specifications

Imaging Device:	1/3" Interline Transfer CCD (ICD-808) 1/2" Interline Transfer CCD (ICD-828) Effective pixels: 768 (H) x 494 (V), about 380,000 pixels Color filter: Color difference line sequential system
Scanning System:	2:1 interlace, as per NTSC system
Vertical Sync Frequency:	59.94 Hz (Corresponding to power frequency for line lock)
Horizontal Frequency:	15.734 kHz (Varies with power frequency for line lock; SC not synchronized)
Synchronizing System:	Internal sync: Crystal lock or line lock (on AC type only) External sync: GENLOCK (Automatic selection)
GENLOCK Input:	VBS or VS; 1.0 Vp-p/75 Ω (High impedance selectable) BBS; 0.45 Vp-p/75 Ω (High impedance selectable)
Video Output:	VBS; 1.0 Vp-p/75 Ω
Horizontal Resolution:	480 lines
S/N Ratio:	50 dB (p-p/rms) or more (ICD-808) 52 dB (p-p/rms) or more (ICD-828) (Luminance signal, standard illumination, DETAIL correction OFF, weighting circuit ON)
Minimum Illumination:	0.5 lux/F1.4 (AGC ON) (ICD-808) 0.15 lux/F1.4 (AGC ON) (ICD-828)
AGC:	ON (AGC, HYPER-AGC)/OFF (LOW, MID, HIGH) selectable
White Balance:	ATW/AWC/MANUAL selectable and adjustable
DETAIL Correction:	Provided (Detail level adjustable)
Backlight Compensation:	ON/OFF/SPOT selectable, compensation level adjustable (BLC)
AES:	ON/OFF selectable
(Automatic Electronic Shutter)	AES range: About 1:1600 (Inoperable in a region where the power frequency and the camera's vertical sync frequency are different from each other.)
Electronic Shutter:	OFF, 1/100, 1/125, 1/250, 1/500, 1/1000, 1/2000, 1/4000, 1/10000, VARIABLE (Selectable among 1/60 - 1/100000)
Auto Iris Function:	VIDEO iris/DC iris selectable (Changeover type)
Camera ID Function:	Provided (One line, 16 characters)
Local Setting Functions:	Selectable and adjustable with on-screen display using 5 control buttons; Camera ID, AES/electronic shutter, BLC ON/OFF/SPOT selection and level adjustment, DC iris level, INT/LL, external sync frequency phase adjustment, DETAIL level, AGC ON/OFF, ATW/AWC/MANU selection and adjustment, CHROMA level, PED. level, menu lock selectable
Remote Setting Functions:	Possible (Multiplex video communication system with RCU-701) Same presettable items as with the local setting functions CS mount (C mount adapter attachable)
Lens mount:	
Flange Focal Distance Adjusting Mechanism:	Provided
Power Supply:	AC24V ± 10%, 60 Hz/DC12V (10.5-28V)
Power Consumption:	Approx. 4.2W (ICD-808) / Approx. 4.5W (ICD-828)
Working Ambient:	-10 to +50°C/30-85% RH (No dew condensation) temperature/humidity
Camera Mount:	1/4"-20UNC (Also mountable on top)
External Dimensions:	2.52" x 2.13" x 4.72" (64 x 54 x 120 mm) (No projections and accessories included)
Weight:	Approx. 560g (ICD-808) / Approx. 570g (ICD-828)
Input/Output Connectors:	<ul style="list-style-type: none"> • VBS output BNC • GENLOCK input BNC • Lens 4-pin (Applicable plug: E4-191J-100) • AC24V/DC12V input 2-pin push-in terminal • Instruction manual 1 • C mount adapter (CMA-40) 1 (ICD-828 only) • Auto iris lens connector plug 1 (E4-191J-100 or equivalent)
Accessories:	