

Ikegami

High Performance, DSP Super Dome
Color Camera

ICD-608



With Optional XHG-6829 Mount

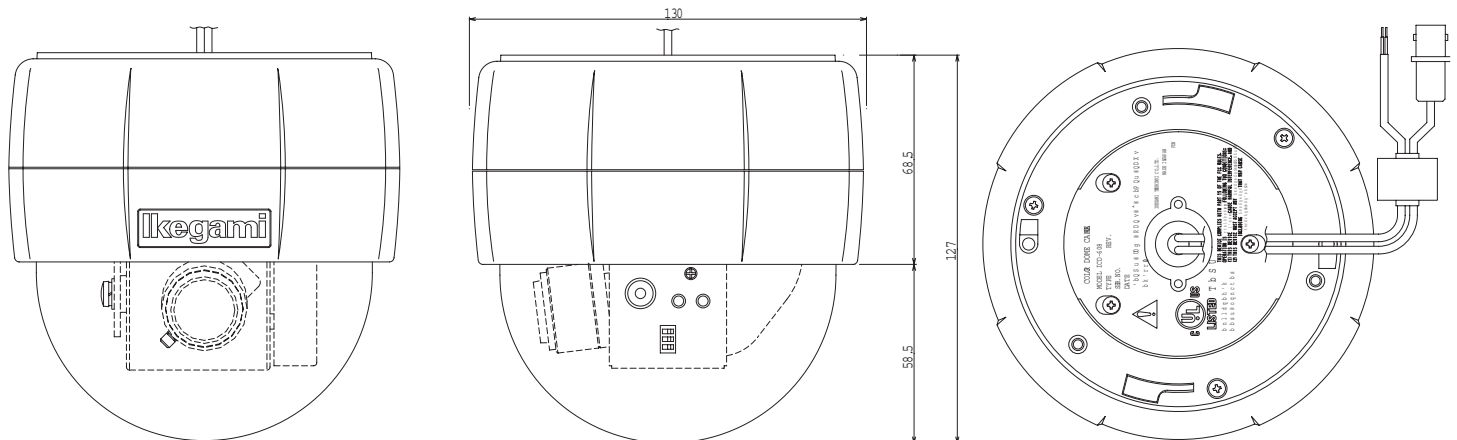
Features

- Digital Processing in Small Dome
- Integration with varifocal lens (4 ~ 9mm)
- High Sensitivity Design
- Back Light Compensation
- High-quality Picture and High Resolution
- Automatic White Balance Control
- Line Lock
- Test Monitor Image Output
- Optional Clear Dome Cover and Ceiling Mount

ICD-608 High Performance DSP Super Dome Color Camera

Specifications

Imaging Device:	1/3" Interline Transfer CCD	Video Output:	VBS 1.0Vp-p 75Ω
No. of Effective Picture Element:	Approx. 380,000 pixels, 768(H) x 494(V) Line	White Balance:	ATW
Scanning Area:	4.8 (H) x 3.6(V) mm	Backlight	
Horizontal Resolution:	480 Lines	Compensation:	On/Off Switchable(BLC)
Minimum Ill:	1.0 lux (30 IRE) Wide Angle 2.0 lux (50 IRE) Wide Angle	AGC:	On/Off Switchable
Built-in Lens:	Focal distance: F4.0 - 9.0mm (manually adjustable) Iris control: Auto iris control Focal depth: ~ 0.5m	Angle Adjustment:	Horizontal: 0 deg to 360 deg. +/- 30 deg (fine adjustment) Vertical: 7 deg to 166 deg.
S/N Ratio:	48dB/rms or better	External Dimension:	130 dia. x 127 mm (Projections and accessories are not included)
TV System:	2:1 Interlace, NTSC system	Ambient Operating Temperature:	-10 ~ +50 deg.C
Int. Sync System	Line lock(Phase adjustable)	Power Supply:	AC24V +/- 10% 60Hz/DC 12V
V Sync Frequency	INT: 59.94 Hz, Line lock: 60Hz	Power Consumption:	AC24V: Approx.3.2W, DC12V: 2.9W
H Sync Frequency	Line lock: 15.734KHz, Line lock: 15.750KHz	Input/Output Connectors:	(1) Video Output: BNC (2) AC24V/DC12V: Loose end. (3) Monitor OUT: RCA Jack
Imaging Filed Angle	Variable focal position	Standard Accessories:	Operation Manual x1, Mounting metal x1, Screws x 4
	Full wide Full Tele		
H Angle:	71.0 deg. 31.6 deg.		
V Angle:	51.8 deg. 23.6 deg.		



Design and specifications are subject to change without notice.

Ikegami

IKEGAMI ELECTRONICS (U.S.A.), INC.

URL <http://www.ikegami.com>

**HEADQUARTERS
WESTCOAST OFFICE**

37 Brook Avenue, Maywood, NJ 07607 Phone (201)368-9171 Fax (201)569-1626
2631 Manhattan Beach Blvd., Redondo Beach, CA 90278
Phone (310)297-1900 Fax (310)536-9550

**SOUTHWEST OFFICE
MIDWEST OFFICE
SOUTHEAST OFFICE**

773 Bearden Road, Waxahachie, TX 75167 Phone (972)869-2363 Fax (972)556-1057
747 Church Road, Unit C1, Elmhurst, IL 60126 Phone (630)834-9774 Fax (630)834-8689
5200 N.W. 33rd Avenue, Suite 111, Fort Lauderdale, FL 33309
Phone (954)735-2203 Fax (954)735-2227