

ICD-47

LOW LIGHT HIGH IR SENSITIVITY B/W CCD CAMERA

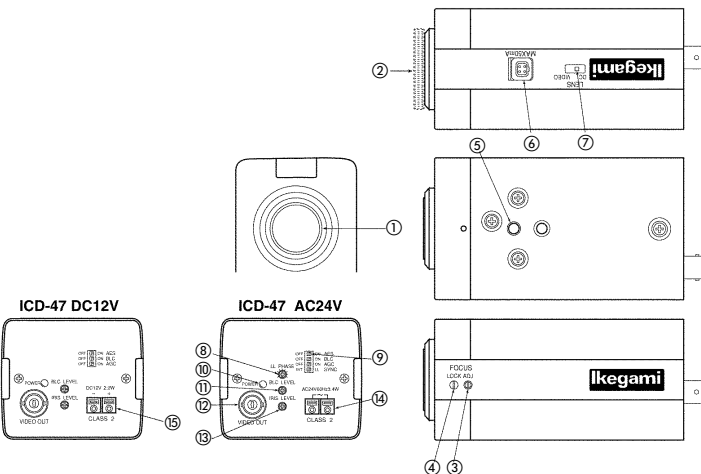


Features

- Horizontal resolution 570 TV Lines (EIA), 560TV Lines (CCIR)
- Minimum illumination 0.02 lux/F1.4, 0.0065 lux/F0.8 equivalent
- Infrared sensitivity Five Times higher than conventional cameras with IT-CCD
- Smear level -120dB high-quality picture, provides crisp pictures.
- Auto shutter function and low smear feature permits high light video level
- Back Light Compensation(BLC)
- Video iris lens or DC iris lens can be used
- Switchable Line-Lock/Internal Lock
- Flange back adjustable

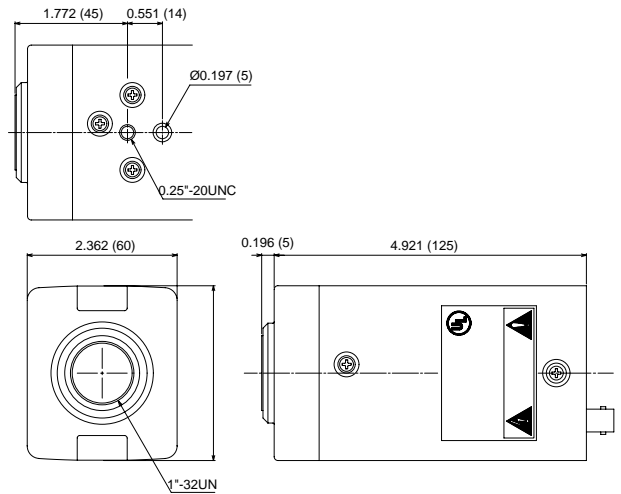
Parts and Functions

- ① Lens mount (CS mount)
- ② C mount adapter (supplied for USA-destined models, optional for other models)
- ③ Flange focal distance adjuster
- ④ Flange focal distance lock screw
- ⑤ Holder screw hole
- ⑥ Auto iris lens connector
- ⑦ Lens selector switch
- ⑧ LL phase control (LL PHASE)
- ⑨ Shutter mode selector switch
- ⑩ Power indicator (POWER)
- ⑪ Backlight compensation control (BLC LEVEL)
- ⑫ Video output connector (VIDEO OUT)
- ⑬ Iris level control (IRIS LEVEL)
- ⑭ AC24V power input terminal
- ⑮ DC12V power input terminal



Specifications

Pickup Device:	1/2" Interline Transfer CCD
Picture Element:	EIA: 768 (H) x 494 (V), approx. 380,000 pixels
Image Size:	6.4mm (H) x 4.8mm (V)
Scanning System:	EIA: 525 TV Lines/60Hz. 2:1 Interlaced
Sync System:	EIA: H 15.734kHz/15.75kHz, V 59.94Hz/60Hz
GENLOCK Input:	VBS or VS 1.0Vp-p/75 Ω (High impedance)
(OPTION)	BBS 0.45Vp-p/75 Ω (High impedance)
Video Output:	1.0Vp-p/75 Ω VS
Horizontal Resolution:	EIA: 570TV Lines
S/N Ratio:	46dB or more (AGC OFF, Detail OFF, Weight ON)
Minimum Illumination:	0.02 lux/F1.4 (AGC ON)
AGC:	ON/OFF Switchable
Gamma:	Approx. 0.45 (Fixed)
Backlight Compensation:	ON/OFF Switchable, Level Adjustable
AES:	ON/OFF Switchable
Auto Iris Function:	Video Iris/DC Iris (Switchable and iris level adjustable)
Power Requirement:	AC24V ± 10% 60Hz (EIA) DC12V (10.5V~16V) (EIA)
Power Consumption:	Less than 5W
Dimensions:	2.76" x 2.36" x 4.92" (70 x 60 x 125 mm)



Weight:	AC24V: approx. 720g (1.59 lbs.) DC12V: approx. 540g (1.19 lbs.)
Ambient Temperature:	-10°C to +50°C (13.5°F to 122°F)
Lens Mount:	CS Mount (C mount adapter can be used)
Input/Output Connector:	Video Output: BNC, Auto Iris Out put 4P Square type (D4-151N-100 or equivalent) AC24V/DC12V Input: 2P Push in terminal
Operational Switches:	Sync.: INT/LL Switchable, Line Lock Phase Adjustment AES: ON/OFF Switchable Backlight Compensation: ON/OFF Switchable, Level Adjustable AGC: ON/OFF Switchable, Auto Iris: DC/Video Switchable DC Iris Level Adjustable
Accessories:	Operation Manual, C-Mount adapter, Auto Iris Connector (E4-191J-100 or equivalent)