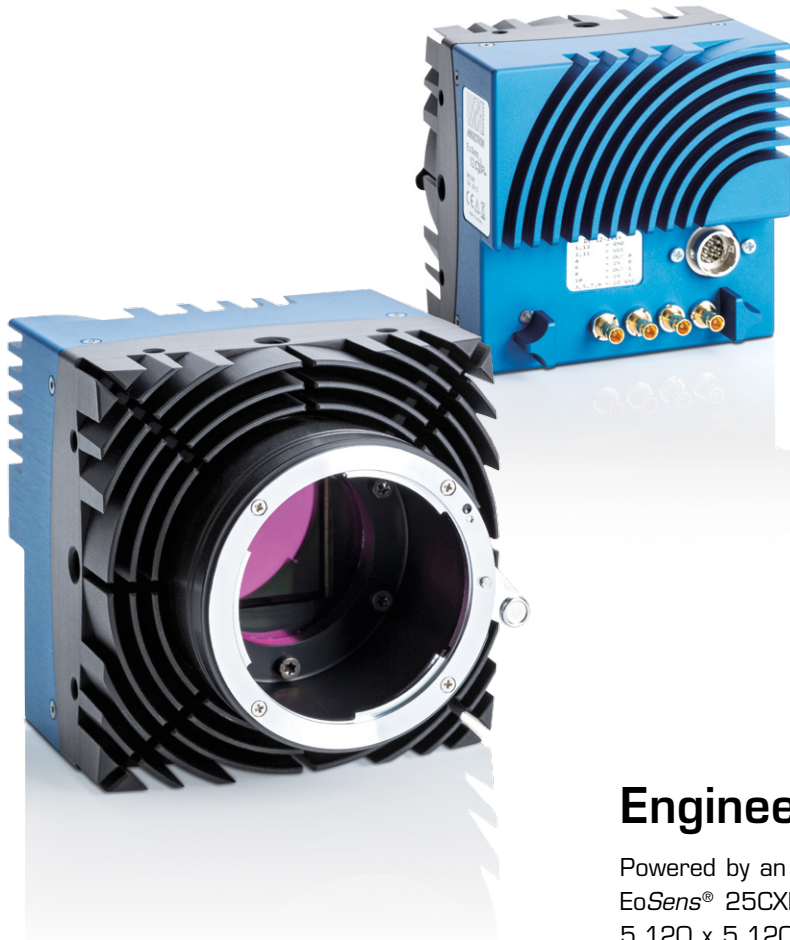




# EoSens® 25CXP+

High-Speed CMOS Camera



1288   
EMVA Standard Compliant

CoaXPress

GEN<i>i</i>CAM

### EoSens® 25CXP+ Key Features:

- 80 fps at 25 megapixel resolution
- Based on OnSemi PYTHON sensor
- High-performance CoaXPress® interface
- Extremely sensitive
- Compact, fanless design

## Engineered for Sensitivity

Powered by an advanced OnSemi PYTHON sensor, the EoSens® 25CXP+ supports 80 frames per second at 5,120 x 5,120 pixel resolution. With an extraordinary photo-sensitivity of 5.8 V/lux\*s @550nm this high-speed CMOS camera delivers high-contrast images even in low-light conditions.

Contained within a robust and small metal housing, it is engineered for use in rough environments. All this is combined with a 4-channel CXP-6 CoaXPress® interface, transmitting data at speeds of up to 25 Gigabits per second in real time.

### APPLICATION EXAMPLES

- PCB inspection
- Wafer inspection
- Aerial surveillance
- Surface inspection
- Flaw detection
- Materials science
- LCD panel inspection
- LED inspection



## Future Proof Interface

The CoaXPress® interface standard is one of the most powerful transmission technologies in image processing today. Its features speak for themselves:

- Data rates up to 6.25 Gbit/s over a single coax cable
- Up to 25 Gbit/s using four cables
- Data, communication, control and power over one cable
- Real time behavior through fixed, low latency
- Precise triggering capability, even in multi-camera applications
- Flexible and reliable through use of standard coax cables
- Plug and play

### Frame Rates

Resolution	Frame rate
5,120 x 5,120 px	80 fps
4,096 x 3,072 px	165 fps
1,920 x 1,080 px	562 fps
1,280 x 1,024 px	590 fps
1,024 x 768 px	765 fps

### Smart Features

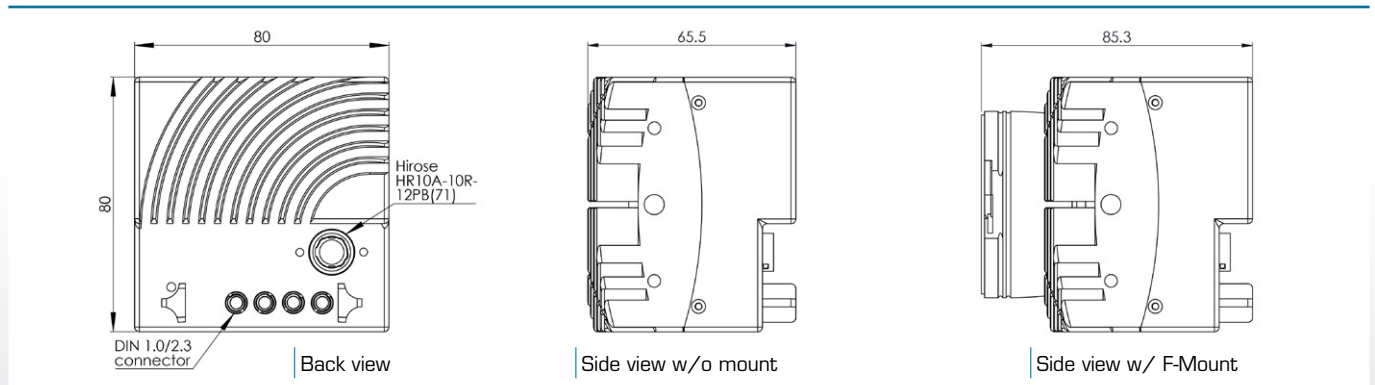
- PoCXP
- Trigger Modes
- Arbitrary ROI
- FPN Correction
- GPIO
- PRNU Correction

## Technical Data

(More detailed specifications are available on request)

EoSens® 25CXP+ (monochrome / color)	
Resolution	25 Mpix
Active pixels	5,120 x 5,120 px
Interface	CoaXPress® @ 4 x 6.25 Gbit/s
Frame rate (8 bit)	80 fps
Sensor	OnSemi PYTHON 25k
Sensor type	CMOS global shutter
Sensor format	35 mm FF
Active sensor area (H x V)	23.04 x 23.04 mm
Pixel size	4.5 x 4.5 µm
Sensitivity (mono)	5.8 V/lux*s @ 550nm
Color depth	10 / 8 bit
Dynamic range	59 dB
Shutter time (steps)	1 µs
Shutter time range	1 µs – 0.1 s
Max. Jitter	±4 ns
Interface Connector	DIN 1.0 / DIN 2.3
Mount option	F-Mount
Dimensions (W x H x L w/o mount)	80 x 80 x 66 mm
Weight (w/o mount)	540 g
Power consumption	10 W
Power supply	12 - 24 V DC
Camera body temperature	+5 °C ... +55 °C
Shock / Vibration proof	70 g / 7 grms
Conformity	CE / RoHS / GenICam / CoaXPress®
EMVA1288 reports	✓

### Camera Body Dimensions



### MIKROTRON GmbH

MIKROTRON GmbH provides a full range of high-speed imaging solutions for challenging applications in industry, engineering, science and sports. The company's extreme slow-motion recording enables customers to optimize manufacturing processes, improve product design, revolutionize quality management and analyze motion.

#### Germany

Landshuter Str. 20-22  
D-85716 Unterschleissheim  
Phone: +49(0)89-726342-00  
E-Mail: info@mikrotron.de  
Web: www.mikrotron.de

#### North America

14032 Hermosillo Way  
US-Poway, CA 92064  
Phone: +1-858-774-1176  
E-Mail: steve.ferrell@mikrotron.de  
Web: www.mikrotron.de

