

# SL1236

## Bright Field Spot Light



**Aii** High intensity illumination for non-specular objects.

**Aii** Available in RGB “all color” version.

### Ordering Information

Standard Product:  
Shipped Next Day

Standard Product Variation:  
Shipped Within Two Weeks

### SL1236

Configured for use with Ai  
Power Supply

◇ UV LEDs have a considerably shorter half-life than other LEDs (<1000hrs). For this reason Ai recommends these LEDs be used in strobe mode only. For applications requiring continuous 24v power, contact Ai for assistance.

Spectral wavelength	Stand off	Field of view	Optional power Compatibility	Optional Light Conditioning	Alternative Connector
SL1236 - XXX	XXX	XX	XX	X	XXX
(UV) 395 <sup>◇</sup>	See chart to compute standoff.	XL	IC	D	M12*
(blue) 470 <sup>†</sup>		L	IS	(Diffuser)	
(green) 520 <sup>†</sup>		M	C2	P	
(yellow) 590		S	C3	(Polarizer)	
(orange) 625		XS	C5		
(red) 660			12		
(infra-red) 880			24		
(white) WHI <sup>†</sup>					
(all Color) RGB <sup>†</sup> Ⓢ					

IC = ICS (requires 24v power supply)  
IS = ISU (requires 24v power supply)  
C2 = Ai Connector  
C3 = Pulsar 710 Connector  
C5 = Pulsar 320 Connector  
★ Available with IC, IS, and 24v options only  
† Not available in 12v  
Ⓢ ICS option not available

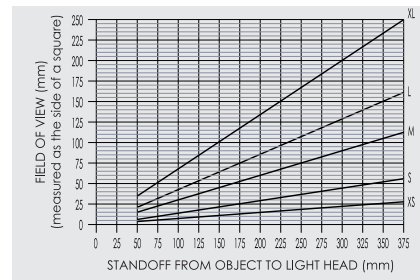
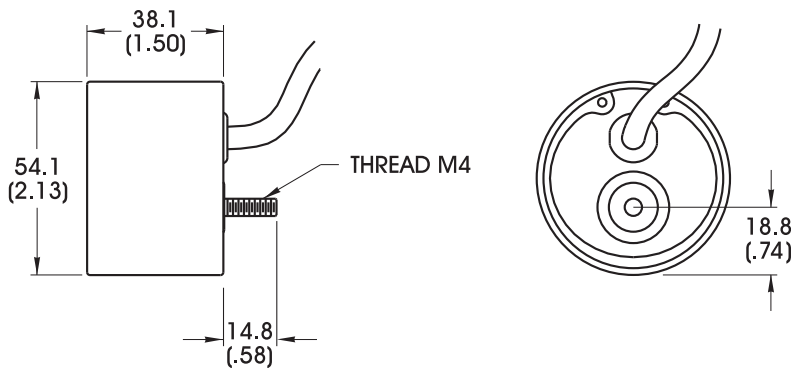


Figure 1  
Identify desired FOV and standoff, then specify nearest illuminated area size

### Dimensional Information



[Click for Installation Models & Drawings](#)

Cable Length: 1.5 Meter (59") DIMENSIONS ARE IN MILLIMETERS (INCHES)

### Standard Variation Current Specifications

	blue	green	yellow	orange	red	infra-red	white	RGB	
@12	N/A	N/A	120	120	240	240	N/A	N/A	mA
@24	120	120	120	120	120	120	120	110	mA

### Standard Product Information

Product Lifetime:	50,000 hours
Operating Temperature:	0-60° C