

LL6212

High Intensity Line Light

- Aii** Intense illumination for long working distanced or large area applications.
- Aii** Works great in pairs to create a square area of illumination.



Ordering Information

Standard Product:
Shipped Next Day

LL6212-WHIIC

Configured with in-line Current Source

Standard Product Variation:
Shipped Within Two Weeks

	Lens Option ^	Spectral wavelength	Optional power compatibility	Heat Sink	Wash Down Option	Optional Light Conditioning	Alternative Connector
LL6212	X	- XXX	X	X	X	X	XXX
	N	(uv) 395 ^{△◇}	IC	H	W	D°	M12*
	W	(blue) 470	IS			(Diffuser)	
		(green) 530	24			P°	
		(amber) 590	C2			(Polarizer)	
		(red) 625	C3				
		(infra-red) 850 [△]	C5				
		(white) WHI					

◇ UV LEDs have a considerably shorter half-life than other LEDs (< 1000hrs). For this reason Ai recommends these LEDs be used in strobe mode only. For applications requiring continuous 24v power, contact Ai for assistance.

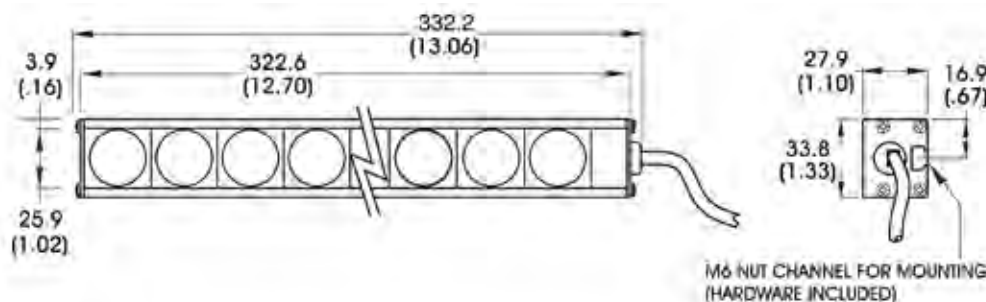
- IC = ICS (requires 24v power supply)
- IS = ISU (requires 24v power supply)
- C2 = Ai Connector
- C3 = Pulsar 710 Connector
- C5 = Pulsar 320 Connector
- ★ Available with IC, IS, and 24v options only
- ° - Not available with Wash Down Option
- △ Available with Medium lens option only

Optimal working distance:

152.4mm (6") - 600mm (24")

^ Leave blank for Standard, Medium (M) Lens

Dimensional Information



[Click for Installation Models & Drawings](#)

DIMENSIONS ARE IN MILLIMETERS (INCHES)

Standard Variation Current Specifications

	uv	blue	green	amber	red	infra-red	white	
@24	700	700	700	700	700	700	700	mA

Standard Product Information

Product Lifetime:	50,000 hours
Operating Temperature:	0-60° C