

LL5806

High Intensity Line Light



- Aii** New LEDs are 2x brighter than original design
- Aii** New wash-down option - IP66 Compliant Design
- Aii** Lens Options - Narrow, Medium (std), or Wide

Ordering Information

Standard Product:
Shipped Next Day

LL5806-625IC
LL5806-WHIIC

Standard product includes an "M" lens, and is configured with inline Current Source.

Standard Product Variation:
Shipped Within Two Weeks

	Lens Option ^	Spectral wavelength	Optional power compatibility	Heat Sink	Wash Down Option	Optional Light Conditioning	Alternative Connector
LL5806	X	-	X	X	X	X	XXX
	N	(uv) 395 ^{△◇}	IC	H	W	D° (Diffuser)	M12*
	W	(blue) 470 (green) 530 (amber) 590 (red) 625 (infra-red) 850 [△] (white) WHI	IS 24 C2 C3 C5			P° (Polarizer)	

Optimal working distance:

152.4mm (6") - 609.6mm (24")

◇ UV LEDs have a considerably shorter half-life than other LEDs (<1000hrs). For this reason Ai recommends these LEDs be used in strobe mode only. For applications requiring continuous 24v power, contact Ai for assistance.

IC = ICS (requires 24v power supply)
IS = ISU (requires 24v power supply)
C2 = Ai Connector
C3 = Pulsar 710 Connector
C5 = Pulsar 320 Connector
★ Available with IC, IS, and 24v options only
° - Not available with Wash Down Option
△ Available with Medium lens option only

^ Leave blank for Standard, Medium (M) Lens

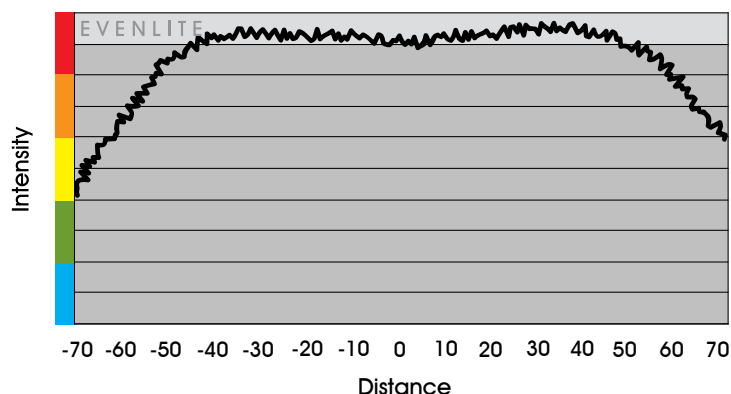
Light Consistency Information

Intensity Distribution

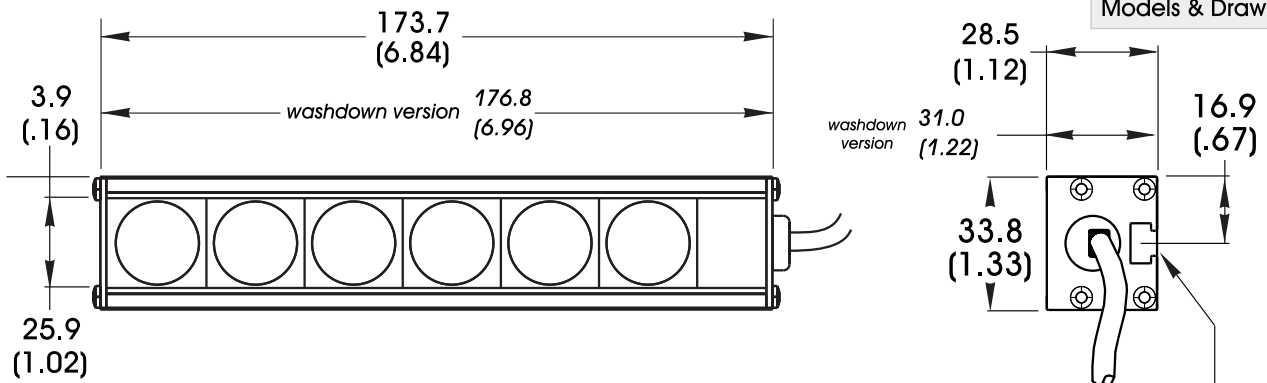


[Taken at 152.4mm (6")]

Intensity Cross Section



Dimensional Information

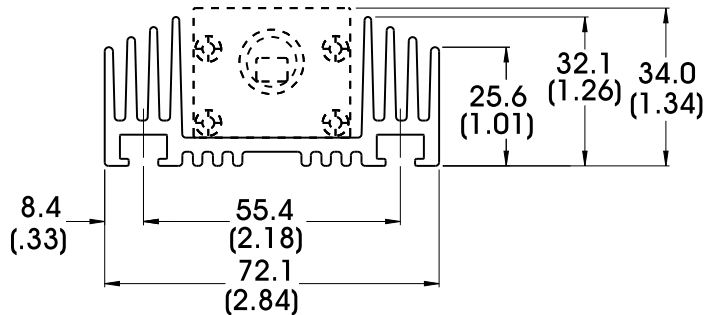


[Click for Installation Models & Drawings](#)

Cable Length: 1.5 Meter (59")

M6 NUT CHANNEL FOR MOUNTING (HARDWARE INCLUDED)

Optional Heat Sink



Standard Variation Current Specifications

	uv	blue	green	red	infra-red	white	
@24	350	350	350	350	350	350	mA

Standard Product Information

Red	Max. Illumination	Irradiance (mW/cm ²)	Illuminance (Lux)
	Working Distance: 6"	4.5	7,300
	Working Distance: 12"	2.4	4,100
	Lifetime	50,000 hrs	
White	Max. Illumination	Irradiance (mW/cm ²)	Illuminance (Lux)
	Working Distance: 6"	6.2	26,000
	Working Distance: 12"	3.1	13,700
	Lifetime	50,000 hrs	

General Specifications

Weight:	226.8 g (8oz)
Finish:	Black Anodized
Operating Temperature:	0-60°C
Meets Specifications:	CE, RoHS

Additional Information

Area of illumination measured at 50% intensity

