

LL3148

12" Line Light

Ai Ideally suited for use with line-scan cameras.

Ai 300mm of intense illumination.



Ordering Information

Standard Product:
Shipped Next Day

Standard Product Variation:
Shipped Within Two Weeks

LL3148-WHI

Configured for use with Ai
Power Supply

Lens Type	Spectral wavelength	Optional power Compatibility	Alternative Connector
LL3148 X	- XXX	XX	XXX
A	(UV) 395 [◇]	IC	M12*
B	(blue) 470 [†]	IS	
D	(green) 520 [†]	C2	
E	(yellow) 590	C3	
	(orange) 625	C5	
	(red) 660	12	
	(infra-red) 880	24	
	(white) WHI [†]		

Lens & Aiming Information

	Lens Type A	Lens Type B	Lens Type D	Lens Type E
Working Distance	25mm	50mm	75mm	125mm
Line Width	6mm	9.5mm	13mm	16mm

IC = iCS (requires 24v power supply)

IS = iSU (requires 24v power supply)

C2 = Ai Connector

C3 = Pulsar 710 Connector

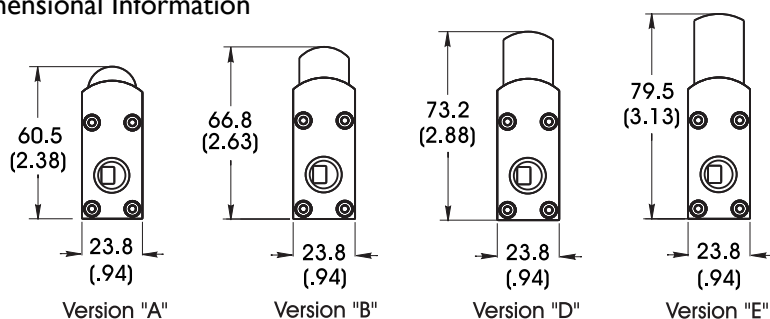
C5 = Pulsar 320 Connector

* Available with IC, IS, and 24v options only

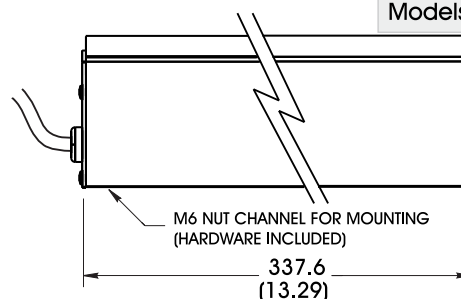
[†] Not available in 12v

[◇]UV LEDs have a considerably shorter half-life than other LEDs (< 1000hrs). For this reason Ai recommends these LEDs be used in strobe mode only. For applications requiring continuous 24v power, contact Ai for assistance.

Dimensional Information



[Click for Installation Models & Drawings](#)



Cable Length: 1.5 Meter (59")

DIMENSIONS ARE IN MILLIMETERS (INCHES)

Standard Variation Current Specifications

	blue	green	yellow	orange	red	infra-red	white	RGB	
@12	N/A	N/A	240	240	360	360	N/A	N/A	mA
@24	160	160	160	160	240	240	160	N/A	mA

Standard Product Information

Product Lifetime: 10,000 hours

Operating Temperature: 0-60° C