
VP-29MC-M/C 5

THERMOELECTRIC PELTIER COOLED – HIGH SPEED PROGRAMMABLE DIGITAL CAMERA



VP Series cameras are thermo – electric Peltier (TEC) cooled high performance digital cameras. These cameras use cooling technology developed for, and used by, many demanding medical market customers. The TEC maintains the operating temperature of the CCD at up to 20 degrees below ambient temperature. These cameras provide a stable operating condition or the ability to expose for a long period of time to increase camera sensitivity. These cameras are ideal for industrial applications such as FPD inspection and microscopy.

VP-29MC

THERMOELECTRIC PELTIER COOLED, HIGH SPEED PROGRAMMABLE DIGITAL CAMERA

Main Features

- * Thermoelectric Peltier Cooled
- * 20 degrees below ambient temperature
- * Progressive Scan Interline Transfer CCD Imager
- * Flat Field Correction
- * Field Upgradable Firmware
- * Pixel Defect Correction

Applications

- * Flat Panel Display Inspection
- * Research and Scientific Imaging
- * Machine Vision Inspection
- * Microscopy and Metrology

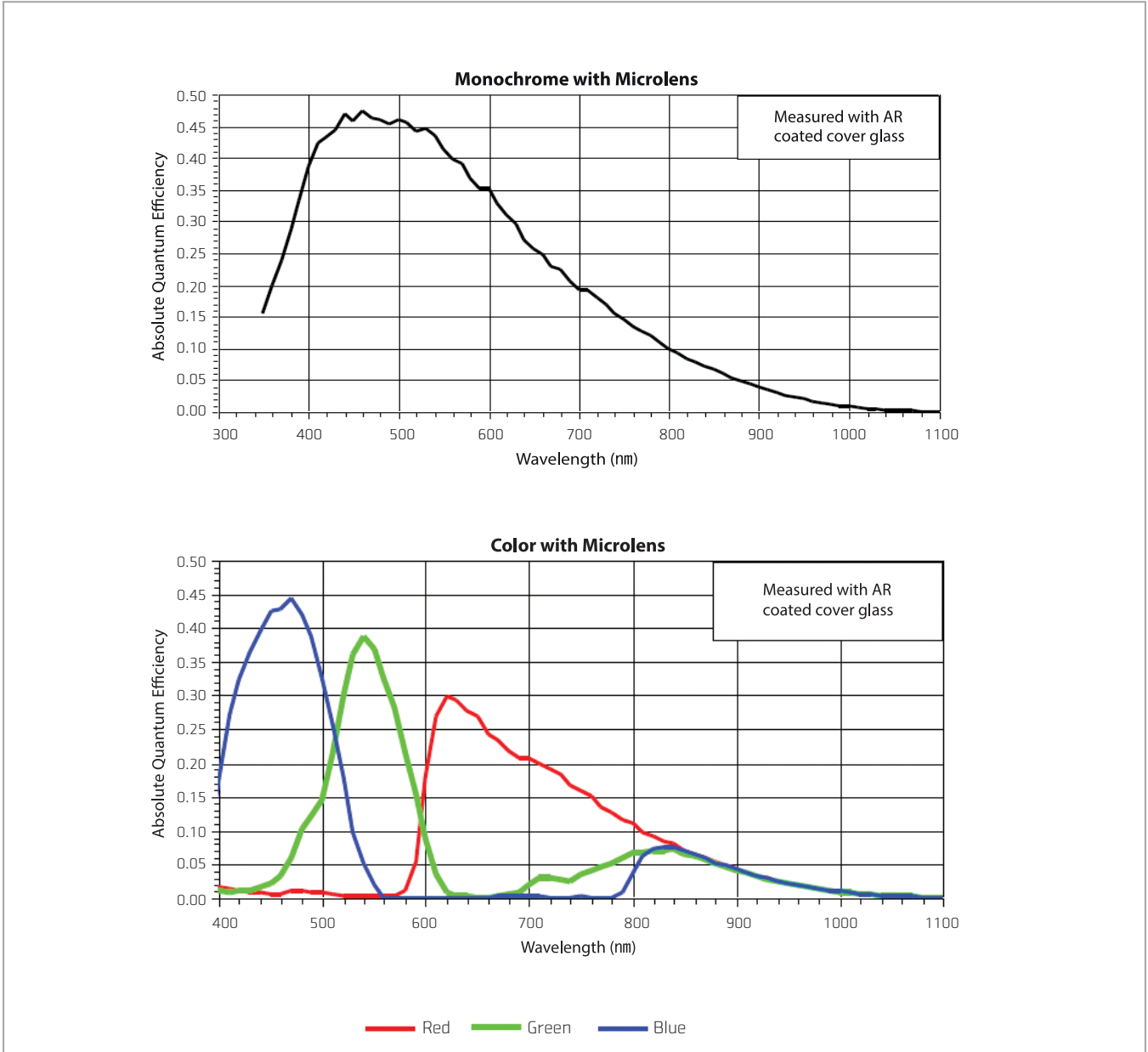
Specifications

| | |
|------------------------------|---|
| Model | VP-29MC-M/C 5 |
| Resolution (H × V) | 6576 × 4384 |
| Sensor (ON Semiconductor) | KAI-29050 |
| Sensor Size (Optical Format) | 35 mm |
| Sensor Type | Progressive Scan Interline Transfer CCD |
| Pixel Size | 5.5 μm × 5.5 μm |
| Interface | Camera Link |
| Max. Frame Rate (40 MHz) | 5 fps |
| Exposure Time (10 μs step) | 1/100000 s – 7 s |
| Partial Scan (Max. Speed) | 15.3 fps at 1200 Lines |
| Pixel Data Format | 8 / 10 / 12 bit |
| Electronic Shutter | Global Shutter |
| Data Output Pixel Clock | 40/80 MHz |
| Trigger Mode | Free-Run, Overlap, Fast, Double – Programmable Exposure Time and Trigger Polarity |
| Dynamic Range | 62 dB |
| Cooling Method | Thermoelectric Peltier Cooling |
| Cooling Performance | 20°C below ambient temperature Standard cooling with a fan |
| Dimension / Weight | 90 mm × 90 mm × 142 mm, 1550 g (with F-mount) |
| Temperature | Operating: -5°C ~ 40°C Storage: -40°C ~ 70°C |
| Lens Mount | No mount or F-mount, Custom mount available upon request |
| Power | 10~14 V DC, Typ. 26 / MAX. 30 W |
| Compliance | CE, FCC, KC |
| Configuration Software | Configurator |

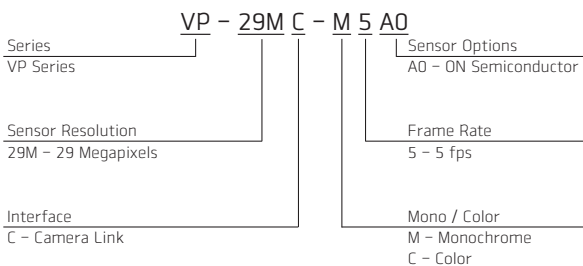
VP-29MC

THERMOELECTRIC PELTIER COOLED, HIGH SPEED PROGRAMMABLE DIGITAL CAMERA

Quantum Efficiency Curves



Ordering Scheme



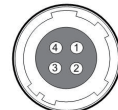
Connector Specification

Power



1 2 3: +12V DC, 4 5 6: GND
(HR10A-7R-6PB)

Control



1: Trigger IN+, 2: Trigger IN-
3: Strobe Out-(GND), 4: Strobe OUT+
(HR10A-7R-4S)

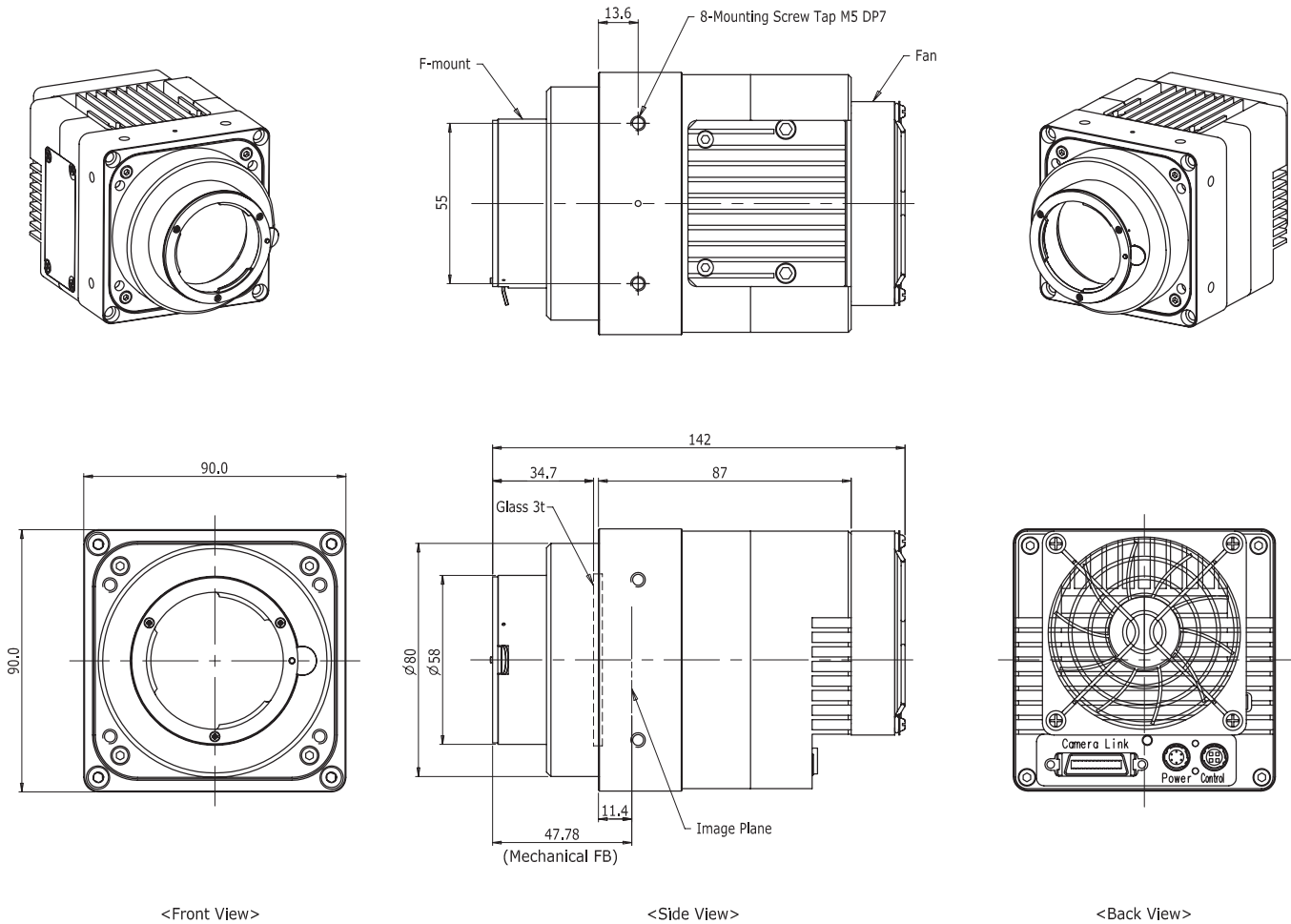
Connectors on camera body

VN-29MC

THERMOELECTRIC PELTIER COOLED, HIGH SPEED PROGRAMMABLE DIGITAL CAMERA

Mechanical Dimensions

Unit: mm



For more information please contact local distributor or visit our website at <http://www.viewworks.com>.

Reproduction in whole or in part without written permission is prohibited. Viewworks Co., Ltd. is not responsible for any technical or typographical errors and reserves the right to make changes to products, specifications and documentation without prior notice.

RA14-11A-017

VIEWWORKS

41-3, Burim-ro 170 beon-gil, Dongan-gu, Anyang-si, Gyeonggi-do, 14055 Republic of Korea
tel +82-70-7011-6161 fax +82-31-386-8631 e-mail sales@viewworks.com