

T34Z5518AMSP-CS

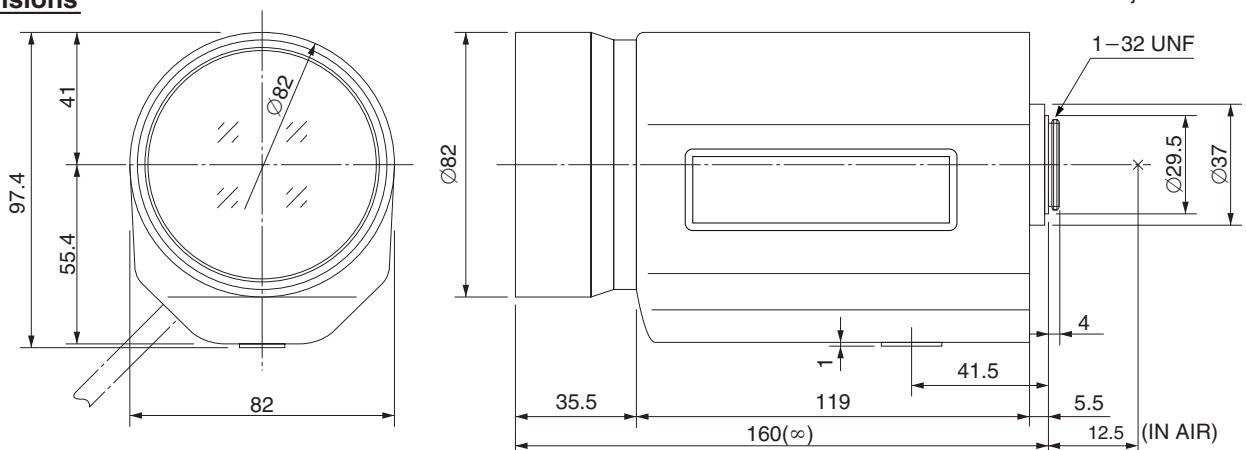
34X 5.5mm - 187mm F1.8
for 1/3 type Cameras, Motorized Zoom
CS-Mount

with Video Auto Iris and preset

Model No.	T34Z5518AMSP-CS		Effective	Front	Ø70.0mm	
Focal Length	5.5mm - 187mm		Lens Aperture	Rear	Ø9.1mm	
Max. Aperture Ratio	1:1.8		Back Focal Length		12.7mm	
Max. Image Format	4.8mm x 3.6mm(Ø6mm)		Flange Back Length		12.5mm	
Operation Range	Iris	F1.8 - F560C	Mount		CS-Mount	
	Focus	1.5m - Inf.	Filter Size		M77 P=0.75mm	
	Zoom	5.5mm - 187mm	Tripod Screw		1/4 - 20UNC	
Control	Iris	Video Auto Iris	Dimensions		W82mm x H97.4mm x D160mm	
	Focus	Motorized, Preset	Weight		1190g	
	Zoom	Motorized, Preset				
Object Dimension at M.O.D.	5.5mm	129.2cm x 95.2cm				
	187mm	4.1cm x 3.1cm				
Angle of View	D	1/3 type	57.5° - 1.92°	1/4 type	43.8° - 1.45°	
	H		46.6° - 1.55°		35.2° - 1.17°	
	V		35.2° - 1.17°		26.5° - 0.88°	
		Iris	Focus	Zoom		
Supply Voltage	DC8.5V -DC16V		DC8V	DC8V		
Current	40mA or less		40mA or less	25mA or less		
Response Time	Approx. 2 sec.		Approx. 3.5 sec.	Approx. 3.5 sec.		
Preset Potentiometer	—		5kQVR	5kQVR		
Light Weighting Method	Adjustable between Average - Peak (to be Set at Average at Factory)					
Remote Control	Level Remote (Option)					
Input Signal	Video Signal (V. or V.S.)					
Iris Accuracy	±15% at Video Signal Level					
Sensitivity Adjustment	0.5V(p-p) - 1.0V(p-p) (Video Signal)					
Input Impedance	High Impedance					
Operating Temperature	-10°C - +50°C					

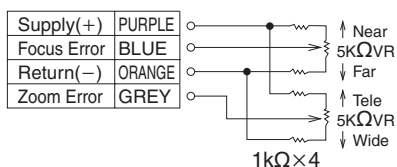
Dimensions

M.O.D. : Minimum Object Distance



Wiring Diagram

PRESET POTENTIOMETER



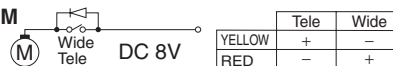
IRIS



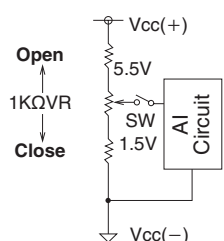
FOCUS



ZOOM



(Level Remote)



1/3 type

CS