

H10Z1218MP

10X 12mm - 120mm F1.8
for 1/2 type Cameras, Motorized Zoom
C-Mount

with Preset

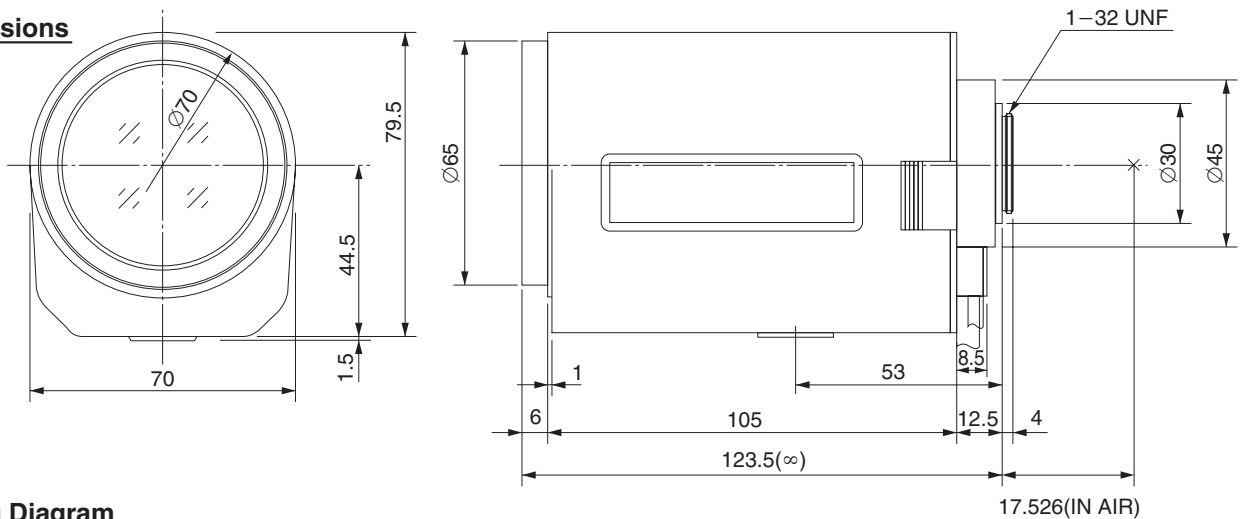
Model No.	H10Z1218MP		Effective	Front	Ø54.0mm		
Focal Length	12mm - 120mm		Lens Aperture	Rear	Ø9.2mm		
Max. Aperture Ratio	1:1.8		Back Focal Length		14.4mm		
Max. Image Format	6.4mm x 4.8mm(Ø8mm)		Flange Back Length		17.526mm		
Operation Range	Iris	F1.8 - F22C		Mount	C-Mount		
	Focus	1.5m - Inf.		Filter Size	M62 P=0.75mm		
	Zoom	12mm - 120mm		Tripod Screw	1/4 - 20UNC		
Control	Iris	Motorized		Dimensions	W70mm x H81mm x D123.5mm		
	Focus	Motorized, Preset		Weight	670g		
	Zoom	Motorized, Preset					
Object Dimension at M.O.D.	12mm	78.7cm x 58.9cm					
	120mm	8.1cm x 6cm					
Angle of View	D	1/2 type	36.4° - 3.8°	1/3 type	27.6° - 2.9°	1/4 type	20.8° - 2.1°
	H		29.4° - 3.1°				22.2° - 2.3°
	V	22.2° - 2.3°	16.7° - 1.7°	12.5° - 1.3°			
		Iris		Focus		Zoom	
Supply Voltage	DC8V		DC8V		DC8V		
Current	20mA or less		40mA or less		35mA or less		
Response Time	Approx. 2.5 sec.		Approx. 4.5 sec.		Approx. 3.5 sec.		
Preset Potentiometer	—		5kΩVR		5kΩVR		
Operating Temperature	-10°C - +50°C						

1/2
type

C

M.O.D. : Minimum Object Distance

Dimensions



Wiring Diagram

