

H10Z1218AMS-2

10X 12mm - 120mm F1.8
for 1/2 type Cameras, Motorized Zoom
C-Mount

with Video Auto Iris

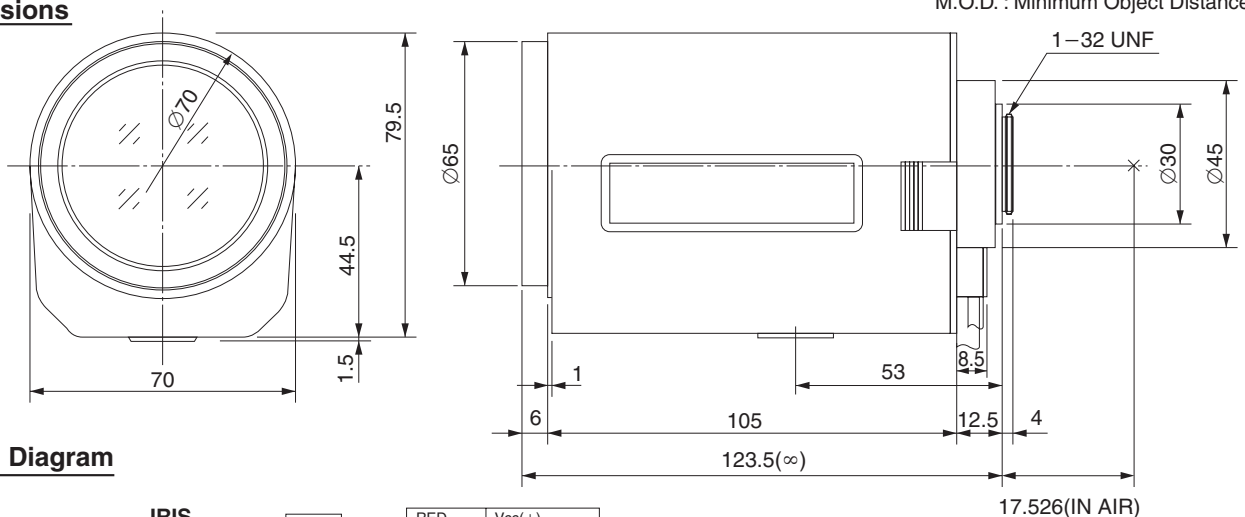
Model No.	H10Z1218AMS-2		Effective	Front	Ø54.0mm		
Focal Length	12mm - 120mm		Lens Aperture	Rear	Ø9.2mm		
Max. Aperture Ratio	1:1.8		Back Focal Length	14.4mm			
Max. Image Format	6.4mm x 4.8mm(Ø8mm)		Flange Back Length	17.526mm			
Operation Range	Iris	F1.8 - F560C	Mount	C-Mount			
	Focus	1.5m - Inf.	Filter Size	M62 P=0.75mm			
	Zoom	12mm - 120mm	Tripod Screw	1/4 - 20UNC			
Control	Iris	Video Auto Iris	Dimensions	W70mm x H81mm x D123.5mm			
	Focus	Motorized	Weight	650g			
	Zoom	Motorized					
Object Dimension at M.O.D.	12mm	78.7cm x 58.9cm					
	120mm	8.1cm x 6cm					
Angle of View	D	1/2 type	36.4° - 3.8°	1/3 type	27.6° - 2.9°	1/4 type	20.8° - 2.1°
	H		29.4° - 3.1°		22.2° - 2.3°		16.7° - 1.7°
	V		22.2° - 2.3°		16.7° - 1.7°		12.5° - 1.3°
		Iris	Focus	Zoom			
Supply Voltage	DC8.5V - DC16V		DC8V	DC8V			
Current	40mA or less		40mA or less	35mA or less			
Response Time	Approx. 2 sec.		Approx. 4.5 sec.	Approx. 3.5 sec.			
Preset Potentiometer	—		—	—			
Light Weighting Method	Adjustable between Average - Peak (to be Set at Average at Factory)						
Remote Control	Level Remote (Option) / ALC Remote (Option)						
Input Signal	Video Signal (V or VS)						
Iris Accuracy	±15% at Video Signal Level						
Sensitivity Adjustment	0.5V(p-p) - 1.0V(p-p) (Video Signal)						
Input Impedance	High Impedance						
Operating Temperature	-10°C - +50°C						

1/2 type

C

Dimensions

M.O.D. : Minimum Object Distance



Wiring Diagram

